



CAT TANDEM VIBRATORY ROLLERS

BUILT FOR IT.™



CONTENTS

Cat Features	4, 5
Key Components	6, 7
Operator Comfort	8, 9
Improved Console	10, 11
Drum Choices	12, 13
Quality Compaction	14, 15
Cat Compaction Control	16, 17, 18
Water Spray	19
Powertrain	20, 21
CB44B Specifications	22, 23
CB54B Specifications	24, 25
CD44B Specifications	26, 27
CD54B Specifications	28, 29
CB64B Specifications	30, 31
CB66B Specifications	32, 33
CB68B Specifications	34, 35



AVAILABLE MODELS ▾



CB44B
Solid Drum or Split Drum



CB54B
Solid Drum or Split Drum



CD44B
Solid Drum or Split Drum



CD54B
Solid Drum or Split Drum

SIZED RIGHT

FOR ANY NEED

The expanded line of Cat Tandem Vibratory Rollers provides you with a broad range of sizes to match just about any job, from parking lots to mainline paving.

While some of the features have changed, the best-in-class vibratory systems haven't. They are easy to match frequency and amplitude to your particular application in order to achieve target densities in the fewest number of passes.

Innovative technology features work quietly behind the scenes. With each roll, temperature can be measured and passes can be counted, more efficiently than ever before.

Operators will notice that they're more comfortable, and that visibility is enhanced, too. Your service technicians, meanwhile, will appreciate extended maintenance intervals. You'll notice improved productivity and machine uptime.

Why settle for any tandem vibratory roller when you can utilize one ideally matched to the size, specifications and requirements of your project?

With Cat Paving Products, you have more models, more comfort, more technology—and ultimately, more profitability.



CB64B
Solid Drum



CB66B
Solid Drum



CB68B
Solid Drum

A FULL RANGE

FOR ANY PAVING APPLICATION.

You can take comfort knowing that no matter how remote the project, service and parts are always available.

HOW CAT TANDEM VIBRATORY ROLLERS DELIVER

Cat Tandem Vibratory Rollers feature more drum choices, increased amplitude and improved technology to help you quickly reach quality targets. The industry's longest service intervals reduce the use of consumables and keep the machines running day after day, from dawn to dusk. Don't forget to factor in a high resale value because of the legendary Cat durability.

EXCEPTIONAL VISIBILITY AND CONTROL

- Unobstructed sight lines with standard 180° seat positioning and ability to rotate 360° for excellent all-around visibility
- Innovative hand-wheel steering technology eliminates the front console and delivers precise control
- Finger-tip control for machine functions
- Drum edge and drum surface lighting for easy nighttime operation

SMOOTH OPERATING POWERTRAIN

- Split drum or solid drum capability on some models
- Split-drum design delivers outstanding performance when making turns, eliminates mat tearing and other defects
- Oscillating hitch design delivers best mat finish and improves ride quality on uneven terrain
- Automatic speed control and impact spacing, easily repeat desired working speed
- CD44B and CD54B offer four steering modes: front, leading drum, coordinated front/rear, offset mode
- Coordinated steering produces a tight inside turning radius





VERSATILE VIBRATORY SELECTION

- Dual Amplitude/Dual Frequency Vibratory System (check model availability)
 - Automatically optimizes amplitude and frequency with single switch
 - Simple thin/thick lift operation
- Five-Amplitude Vibratory System, heavy hitter for thick lifts and tough mix designs
- Versa Vibe™ Vibratory System, two machines in one for lighter hitting and higher speeds or heavy hitting and slower speeds (check model availability)
- Wide coverage: CD44B – 2820 mm (111"); CD54B – 3020 mm (118")

CAT COMPACTION CONTROL

- Infrared temperature sensors (front and rear) keep operator informed of when optimal temperatures exist for compaction
- Temperature Mapping records temperatures for data analysis
- Pass-Count Mapping keeps operator informed of where mat coverage has taken place and the number of passes made
- Compaction Meter Value (CMV)
- Auto-Adjustable Compaction

BEST LIFETIME VALUE

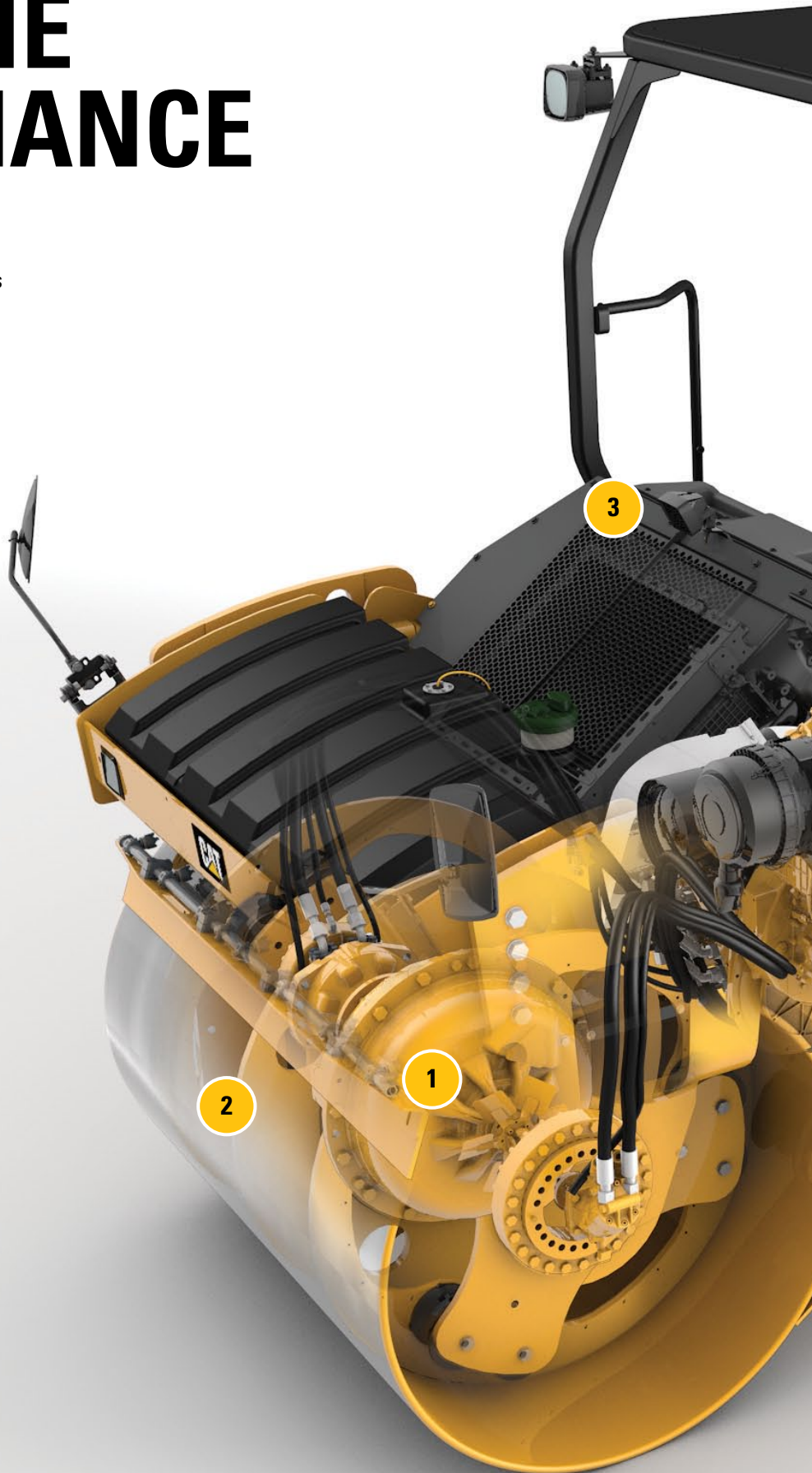
- Eco-mode reduces fuel consumption and lowers sound levels
- Industry-leading vibratory system reliability with extended service intervals
- Oil-bath lubrication for long life of eccentric weight bearings
- Long service intervals for the engine, hydraulics and vibratory system minimize lifetime operating costs

INDUSTRY-LEADING WATER SPRAY SYSTEM

- High capacity system tank provides long duration between fills
- Dual water pumps provide back-up capability and alternate with direction of travel to maximize service life
- Dual spray bars per drum on the CB64B, CB66B, and CB68B provide high flow when needed
- Triple filtration prevents clogs with filters located at the fill point, water pumps, and spray nozzles
- Intermittent operation conserves water
- Integrated freeze protection kit (optional) provides protection in cold temperatures when machine is not in use

FEEL THE COMFORT, ENJOY THE PERFORMANCE

1. Versatile vibratory systems
2. Solid or split drum designs on some models
3. Drum surface lighting
4. Eco-mode
5. Cool, comfortable operating environment
6. Cat Compaction Control
7. Machine-to-machine communication
8. Reliable water spray system
9. Drum edge lighting





The rollers feature powerful Cat engines, with ranges between 75 kW (100 hp imperial, 102 metric hp) and 98 kW (131 hp imperial, 133.2 metric hp).



OPERATOR COMFORT

IMPROVED STATION BOOSTS PERFORMANCE.

Caterpillar designs operating stations that provide excellent visibility, control and comfort.

NO SHOCK: COMFORT MATTERS

Cat rollers are built to vibrate. Your operators aren't. That's why comfort is built into every model. The conveniences help keep your operators fresh, which improves productivity and safety. Comfortable equipment also helps you retain key employees, avoiding additional training and hiring costs.



1. Hand-wheel steering
2. Intuitive LCD display
3. Multi-function propel lever
4. Standard 180° seating
5. Optional 360° seating
6. Adjustable armrests

OPERATOR'S STATION

- Controls and LCD Display integrated with pivoting adjustable seat and move with the operator
- Vinyl seat for open-platform configurations; cloth for cab
- Heated option for both cloth and vinyl seats
- Optional deluxe high back air-ride seat
- Vibration-absorbing floor mat
- 12-volt power receptacle supports communication devices
- Comfortable, wide-width seat belt
- Cup holders offer convenience
- Lockable storage compartment

EXCEPTIONAL VISIBILITY AND COMFORT

- Unimpeded views to drum edges
- Unobstructed sight lines with 180° seat positioning and ability to rotate 360°
- Lighting at the drum surface and edge for nighttime operation
- Large mirrors provide wide views to rear
- Standard light package provides excellent lighting; optional additional light package enhances overall illumination
- Low machine noise, low vibration transfer to operator
- Sliding armrest and adjustable seats conform to operator
- Cab features excellent climate control and ventilation with optional air conditioning



FINGERTIP CONTROL

CONSOLE ENABLES OPERATOR TO WORK WITH CONFIDENCE.

UNDER CONTROL

The newly designed console for Cat Tandem Vibratory Rollers is convenient, helping operators quickly find what they need, when they need it. The console's intuitiveness gives operators the confidence they need to leverage the technology, and associated productivity, built into Cat rollers.

MULTI-FUNCTION PROPEL LEVER

- Integrated controls for:
 - Water spray on/off
 - Drum offset
 - Standard on CD44B and CD54B
 - Optional on CB44B, CB54B, CB64B, CB66B, CB68B
 - Vibratory control
 - Optional edge cutter raise/lower control



Cat control consoles are integrated with pivoting seats, keeping controls and the display right at your fingertips.

LCD DISPLAY

- Multiple functions, including machine data and diagnostics
- Integrated with seat, so it remains in same position even as the seat pivots
- Built-in lockable anti-vandalism cover
- Back-lit for easy visibility in all light conditions
- Multiple language options
- Split-screen capability
- Indicators for:
 - Ground speed
 - Vibrations per minute
 - Fuel level

CONVENIENT CONSOLE

- Integrated with seat providing fingertip access, turns with seat
- Soft keys with tactile feel provide feedback to the operator for intuitive operation
- Emergency Stop button easy to reach and engage



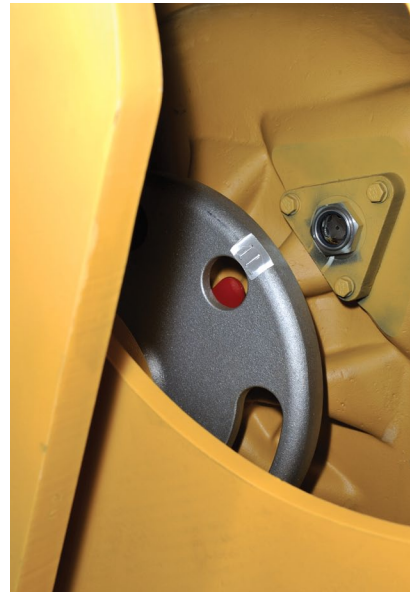
DRUM CHOICES FOR PRODUCTIVITY

SOLID DRUMS = VIBRATORY SYSTEM VERSATILITY

Solid drum models offer more vibratory choices to match your amplitude and frequency requirements, and perform particularly well in high-production applications.

KEY FEATURES

- Perform exceptionally well in vibratory or static mode, enabling a single machine to perform breakdown, intermediate and finishing work
- Offer more vibratory choices to match amplitude and frequency requirements. This drum design performs well in high-production applications
- Are well suited to all types of mix designs and applications
- Provide high amplitudes for breakdown and intermediate work, while their high static linear loads deliver excellent results for finishing work
- Typical applications include highways, city streets, county roads, lane additions, industrial sites, overlays, airport runways, and other high-production paving jobs



Easily fine-tune amplitude settings for the 5-amplitude and Versa Vibe™ systems

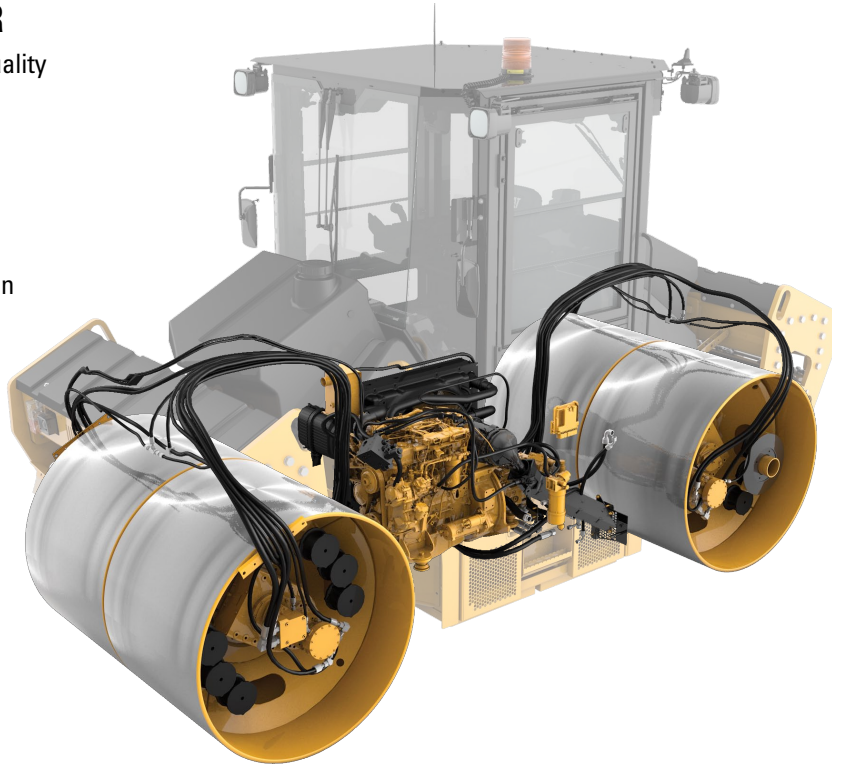
SPLIT DRUMS: A TURN FOR THE BETTER

The exclusive split-drum design delivers excellent mat quality in urban environments when frequent turning is required.

KEY FEATURES

The exclusive drum steer propel system provides a tight turning radius without damaging the hot mat.

- When turning, the outside drum half rotates faster than the inside drum, eliminating the potential for shoving and tearing that occurs on standard vibratory drum designs
- The exclusive axle-type pod design utilizes tapered roller bearings that support each drum half and eliminates any potential for contact between the two halves
- Dual seals provide two layers of protection that prevent contamination and ensure long-term performance



DRUM STEER FEATURES

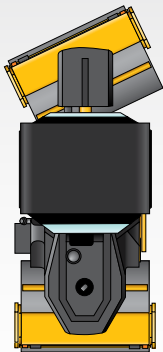
WIDE DRUM OFFSET

- The 1.3 m (51") drum offset provides more coverage for higher production on thin mats while minimizing heat loss prior to compaction
- Ease of operation is provided through fingertip control at the propel lever, enabling one-handed operation.
- An audio alarm alerts the operator when the drums are aligned, allowing the operator to concentrate on mat conditions

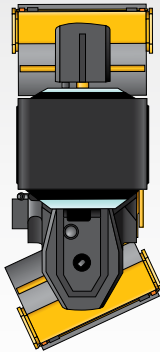
SENSITIVE-TO-THE-TOUCH STEERING

The benefit of electronic steering is combined with the feel of hydraulic steering. When the drum encounters resistance, friction to the steering wheel increases, providing an intuitive feel that is extremely beneficial when operating adjacent to vertical barriers and curbs, or when drum articulation reaches the end of travel during tight turns.

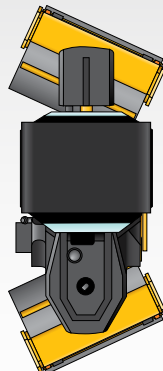
FOUR STEERING MODES



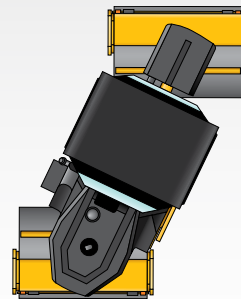
Front Steering



Leading Drum Steering



Coordinated Steering



Offset Operation

PACK A PUNCH

ACHIEVE QUALITY COMPACTION FASTER.

DONE RIGHT, DONE NOW

Cat Tandem Vibratory Rollers quickly reach target densities due to their versatile frequency and amplitude selections. These powerful rollers also provide finesse when necessary due to their flexible front or rear drum only vibratory capability.

Easily adjust amplitude and frequency to match the jobsite application.

VIBRATORY SYSTEM

- Options include dual amplitude/dual frequency, Versa Vibe™, and five amplitude settings
- Multiple options that help fine-tune performance on thick, challenging lifts
- Automatic Speed Control feature makes it easier to maintain consistency and impact spacing requirements
- Auto Vibe function helps prevent over-compaction and contributes to uniformity

EXCLUSIVE POD-STYLE VIBRATORY SYSTEM

- Solid drum design exhibits industry-leading vibratory system reliability with 3-year/3000-hour service interval
- Oil-bath lubrication for long life of eccentric weight bearings
- Split-drum design with exclusive tapered roller bearing pod design eliminates contact between drum halves for long-term reliability



DUAL AMPLITUDE / DUAL FREQUENCY VIBRATORY SYSTEM

- Dual amplitude and dual frequency can be tailored to thin/thick lifts
- Single switch control
- Automatically matches amplitude and frequency
- Simple thin/thick lift operation

FIVE AMPLITUDE VIBRATORY SYSTEM

- Heavy hitter for thick lifts and tough mix designs
- Single frequency, five amplitudes
- Easily fine-tune amplitude with drum mounted handwheel

VERSA VIBE™ VIBRATORY SYSTEM

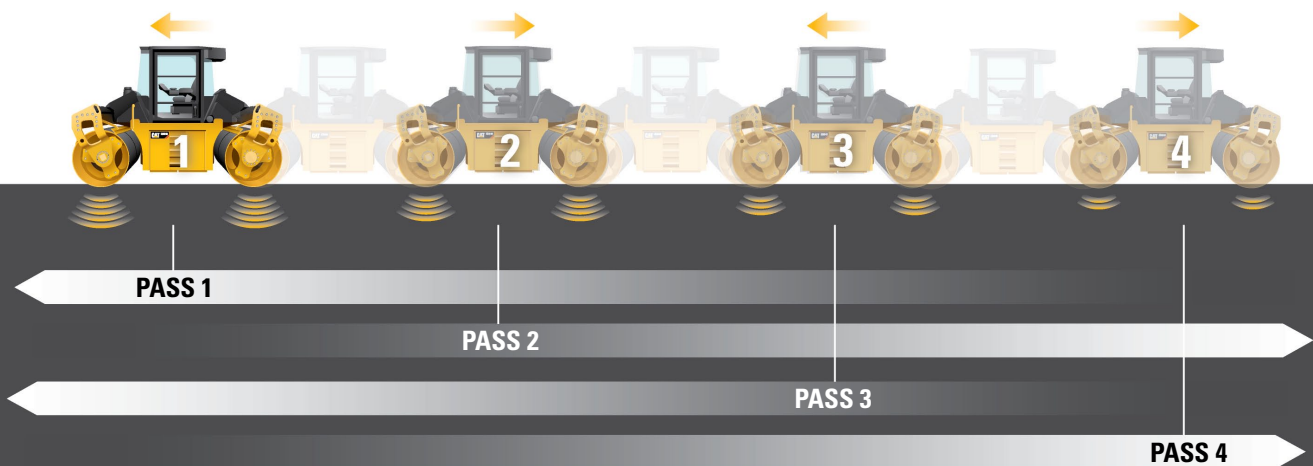
- Two machines in one for lighter hitting and higher speeds or heavy hitting and slower speeds (CB54B, CB64B, CB66B, CB68B only)
- High frequency or high amplitude settings
- Two settings for lighter hitting and higher working speeds on thin lifts
- Two settings for heavier hitting, and slower speeds, on thick lifts
- Four amplitudes, two frequencies
- Simple frequency adjustment
- Breakdown, intermediate, and finish capabilities

CAT COMPACTION CONTROL

GOING BEYOND OPERATOR INTUITION.

AUTO ADJUSTABLE COMPACTION – CB54B AND CD54B ONLY

Cat Compaction Control options help contractors increase efficiency and productivity while recording data for quality control documentation and future planning.



CAT COMPACTION CONTROL

AUTO ADJUSTABLE COMPACTION

EXCLUSIVE COMPACTION PERFORMANCE

- Front and rear drums are equipped with auto-adjusting technology
- Each drum is controlled independently
- Delivers highest level of amplitude without over-compacting
- Dedicated accelerometer and ECM controls each drum

SIMPLE OPERATION

- Automatic feature simplifies operation and optimizes compaction performance
- Controls stay with the operator when swiveling the seat

INCREASED PRODUCTIVITY

- Optimizes performance, helpful near sensitive structures
- Full range of amplitude adjustment occurs in as little as 4 seconds
- Eliminates de-coupling and damage to asphalt
- Sensitivity adjustments for a variety of mix designs
- Meets VT2 classification for Europe

LOWER COST COMPACTION

- Uniform compaction helps meet quality standards
- Minimal training required for inexperienced operators



CAT COMPACTION CONTROL

PASS-COUNT AND TEMPERATURE MAPPING

PASS-COUNT MAPPING

- Achieve target density and increase roller efficiency
- Record and monitor pass pattern in order to ensure consistent coverage
- Optimize drum overlap in order to keep pace with the paver
- Simplify nighttime operation
- Prevent incomplete passes such as stopping short

TEMPERATURE MAPPING

- Provides a visual readout of mat temperature in order to keep the machine in the proper temperature range
- Records and monitors temperature for future analysis of the proper temperature range

TEMPERATURE SENSORS


- Dual infra-red sensors mounted on the front and rear of the machine deliver real-time temperature readings
- Keep operator informed of when to begin rolling and when to stop
- Help avoid tender-zones that often occur in the 104°-110° C (219°-230° F) temperature range
- Optimal mat temperatures for compaction
 - Upper limit is around 149° C (300° F)
 - Lower limit is around 85° C (185° F)
- Eliminates hand-held devices



MACHINE TO MACHINE COMMUNICATION

IMPROVE COMPACTION RESULTS

- Improved job site efficiency
- Easily monitor fleet patterns
- Pickup pass patterns where others left off
- Simplify nighttime operation



Compaction Meter Value is a combined stiffness of the asphalt layer, base layer(s) and sub-base materials.

CMV can help indicate road structure health on "mill and fill" applications.



CAT COMPACTION CONTROL

COMPACTION METER VALUE (CMV)

HIGHLIGHTS

- CMV technology utilizes a drum-mounted accelerometer to measure and record forces of the vibrating drum
- A unit-less value calculation derived from the recorded data provides an indication of stiffness
- The unit-less value calculation is referred to as a "composite stiffness value" that indicates stiffness of the current and supporting layers beneath the drum
- Capable of utilizing RTK level accuracy to provide the highest level of Global Navigation Satellite System positioning (GNSS)
- System is able to correlate compaction, frequency, and pass-count data to specific locations

WATER SPRAY SYSTEM

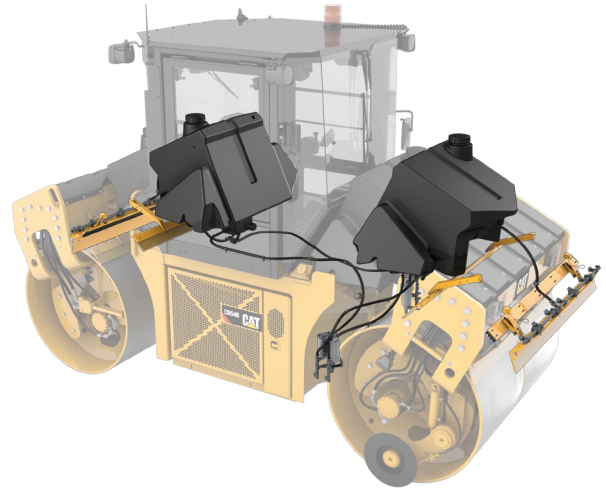
STEADY FLOW, FEWER CLOGS.

KEEP WORK FLOWING

The water tank on Cat tandem vibratory rollers has the capacity to keep your crew moving for hours. The system also is designed to prevent clogging and keep the entire roller drum wet—and the asphalt where it belongs.

CAPACITY, CONVENIENCE

- High capacity system with single fill point provides long duration between refills
- Triple filtration prevents clogs with filters located at the fill point, water pumps, and spray nozzles
- Highly accessible filters can be quickly removed for cleaning without the use of special tools, limiting machine downtime
- Dual water pumps provide the necessary flow to the spray nozzles
- Dual spray nozzles on the large models ensure the drums stay wet, even in the harshest conditions
- Pump usage alternates with the direction of travel, providing controlled cycling that extends pump life
- Upward spray nozzle orientation allows water to drain back into the supply line, limiting particle accumulation in the nozzle filter
- Constant or adjustable intermittent operation
- Integrated freeze protection kit (optional) provides protection in cold temperatures when machine is not in use



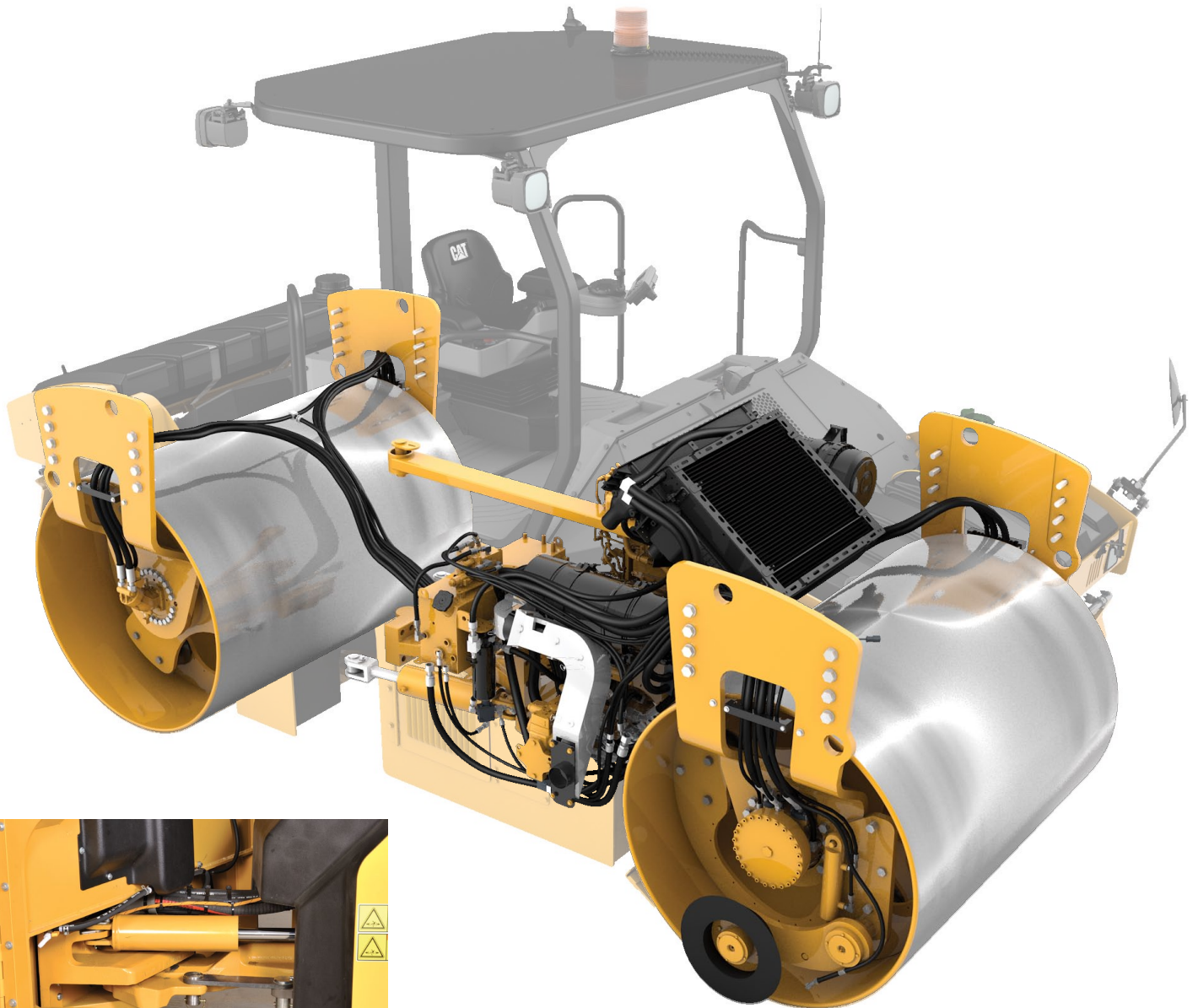
Dual spray bars on the CB64B, CB66B, and CB68B help ensure the wider drums stay wet, even in extreme conditions.

POWERTRAIN

PROVEN POWER, TRACTION, DEPENDABILITY.

STAYING POWER

The B-Series tandem rollers are powered by Cat engines. The engines include a variety of features that help reduce fuel burn, yet still deliver the power required on challenging jobsites. Tough components help extend compactor life.



The oscillating hitch design improves ride quality on uneven terrain.

POWER, SMOOTH RIDE

- Outstanding performance when rolling resistance is amplified such as inclines and thick lifts
- Centered articulation hitch allows the drums to track in the same path while turning

ENGINE

- Features electronic control module (ECM), providing optimal performance through precisely synchronized timing and fuel delivery
- ECM enables advanced troubleshooting and diagnostic capabilities using Electronic Technician (Cat ET)
- Cat Dealers are the single-source providers of all machine and engine warranty service (a Cat exclusive)
- Easy access to entire engine compartment and cooling module for easy, fast servicing
- Sustainable features include meeting EPA Tier 4 Final and EU Stage IV emission standards, and a thick block/robust components for extended life and lower noise levels

CAT ENGINES OPTIMIZED FOR POWER, EFFICIENCY

CB44B, CD44B, CD54B

75 kW (100 hp)

CB54B, CB64B, CB66B, CB68B

98 kW (131 hp)

*Gross power: ISO 14396
Rated Speed: 2,200 rpm*

HIGH CAPACITY COOLING SYSTEM

- The large capacity cooling system keeps the operating temperatures low, even in extreme conditions
- The high capacity fans direct warm air away from the operator for a more comfortable operating environment

AIR FLOW PATTERN



CB44B

ARTICULATING ROLLER.



APPLICATIONS

- Highways, urban streets, parking lots, rural roads
- 1.5 m (59") drums cover widths up to 3.65 m (12') in three overlapping passes
- Recommended for lift thicknesses up to 76 mm (3")

✓ AVAILABLE IN SOLID OR SPLIT DRUM MODELS



Solid Drum



Split Drum

STANDARD AND OPTIONAL EQUIPMENT

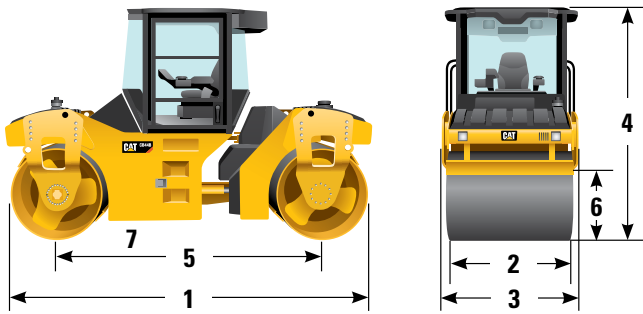
Standard Equipment:

- 2-Amplitude/2-Frequency Vibe System
- 12-Volt Electrical System
- 120 Amp Alternator
- 742 L (196 gal) Water Tank Capacity
- Automatic Speed Control
- Automatic Vibratory Control
- Eco-mode
- Front and Rear Solid Drums
- Locking Engine Compartment
- ROPS/FOPS Platform
- Rotating and Sliding Station
- Triple Filtered Water Spray System
- Two-Speed Hydrostatic Transmission
- Sealed Pod Vibratory System
- Suspension Seat
- Working Lights

Optional Equipment:

- 5-Amplitude Vibratory System
- Air Conditioning
- Air Suspension Seat w/Heat
- Bio-Degradable Oil
- Chip Spreader Ready (split drum)
- Cat Compaction Control
- Edge Cutter
- Freeze Protection Kit
- Front and Rear Split Drums
- High Ambient Cooling System
- Halogen Lights w/Drum Edge Lights
- High Intensity Discharge (HID) Lights w/ Drum Edge Lighting
- Mirrors
- Offset Hitch
- Product Link
- Recording Module (cab only)
- Roding Lights
- ROPS/FOPS Cab
- Temperature Indicator (asphalt)
- Warning Beacon
- Water Distribution Mats (cocoa)
- Water Distribution Mats (rubber)

CB44B SPECIFICATIONS



Dimensions

1 Overall Length	4565 mm	14' 5"
2 Drum Width	1500 mm	59"
Drum Offset	170 mm	6"
Drum Shell Thickness	16 mm	0.67"
Drum Diameter	1108 mm	44"
3 Overall width	1670 mm	5' 5"
4 Height at ROPS/FOPS	2980 mm	9' 9"
Height at Cab	2980 mm	9' 9"
5 Wheelbase	3300 mm	10' 10"
6 Curb Clearance	898 mm	35"
7 Ground Clearance	226 mm	9"

Weights

Operating Weight - Split Drum with ROPS/FOPS/CAB

Standard machine	9 330 kg	20,569 lb
Maximum machine	10 470 kg	23,082 lb
Static linear load	31.1 kg/cm	174 lb/in

Operating Weight - Solid Drum with ROPS/FOPS/CAB

Standard machine	8 190 kg	18,056 lb
Maximum machine	8 940 kg	19,709 lb
Static linear load	26.9 kg/cm	151 lb/in

Operating Weight - Split Drum with ROPS/FOPS/CANOPY

Standard machine	9 030 kg	19,908 lb
Maximum machine	10 250 kg	22,597 lb
Static linear load	29.8 kg/cm	167 lb/in

Operating Weight - Solid Drum with ROPS/FOPS/CANOPY

Standard machine	7 990 kg	17,615 lb
Maximum machine	8 720 kg	19,224 lb
Static linear load	26.3 kg/cm	147 lb/in

Powertrain

Engine Model	Cat C3.4B ACERT™		
Tier 4 Interim, Stage IIIB	75 kW	100 hp	102 metric hp
Number of Cylinders	4		
Rated Speed	2200 rpm		
Speed Ranges			
Low	0 - 7 km/hr	0 - 4.3 mph	
High	0 - 12 km/hr	0 - 7.5 mph	

Capacities

Fuel Tank	208 L	55 gal
Fuel Usage (50% duty)	12 hours	
Water Tank	742 L	196 gal

Vibratory Systems

Two Amplitude, Two Frequency - Split Drum

Low Frequency	42 Hz	2520 vpm
Amplitude	0.62 mm	0.024 in
Centrifugal Force	59.2 kN	13,309 lbF
High Frequency	53.3 Hz	3200 vpm
Amplitude	0.31 mm	0.012 in
Centrifugal Force	73.8 kN	16,591 lbF

Two Amplitude, Two Frequency - Solid Drum

Low Frequency	53.3 Hz	3200 vpm
Amplitude	0.65 mm	0.026 in
Centrifugal Force	53.3 kN	11,982 lbF
High Frequency	63.3 Hz	3800 vpm
Amplitude	0.31 mm	0.012 in
Centrifugal Force	78.3 kN	17,603 lbF

Two Amplitude, Two Frequency - Solid Drum

Low Frequency	45 Hz	2700 vpm
Amplitude - high	0.65 mm	0.026 in
Centrifugal Force	26.9 kN	6,047 lbF
Amplitude - low	0.31 mm	0.012 in
Centrifugal Force	55.7 kN	12,522 lbF
High Frequency*	50/57 Hz	3200/3420 vpm
Amplitude - high	0.65 mm	0.026 in
Centrifugal Force	43.2 kN	9,712 lbF
Amplitude - low	0.31 mm	0.012 in
Centrifugal Force	68.8 kN	15,467 lbF

* System is available with 3rd frequency that produces a higher centrifugal force.

Five amplitude - Solid Drum

Frequency	53.3 Hz	3200 vpm
Amplitude		
High	0.64 mm	0.025 in
Medium high	0.56 mm	0.022 in
Medium	0.45 mm	0.018 in
Medium low	0.35 mm	0.014 in
Low	0.25 mm	0.010 in
Centrifugal Force		
High	76.9 kN	17,288 lbF
Low	30.2 kN	6,789 lbF

CB54B

ARTICULATING ROLLER.



APPLICATIONS

- Interstates, highways, urban streets, large parking lots, rural roads
- 1.7 m (67") drums cover widths up to 4.8 m (16') in three overlapping passes
- Recommended for lift thicknesses up to and greater than 101 mm (4")

✓ AVAILABLE IN SOLID OR SPLIT DRUM MODELS



Solid Drum



Split Drum

STANDARD AND OPTIONAL EQUIPMENT

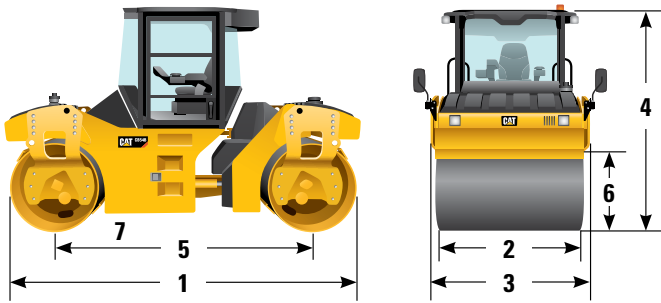
Standard Equipment:

- 2-Amplitude/2-Frequency Vibe System
- 12-Volt Electrical System
- 120 Amp Alternator
- 837 L (221 gal) Water Tank Capacity
- Automatic Speed Control
- Automatic Vibratory Control
- Eco-mode
- Front and Rear Solid Drums
- Locking Engine Compartment
- ROPS/FOPS Platform
- Triple Filtered Water Spray System
- Two-Speed Hydrostatic Transmission
- Sealed Pod Vibratory System
- Solid Drums
- Suspension Seat
- Working Lights

Optional Equipment:

- 5-Amplitude Vibratory System
- Air Conditioning (cab only)
- Air Suspension Seat w/Heat
- Bio-Degradeable Oil
- Cat Compaction Control
- Chip Spreader Ready (split drum)
- Edge Cutter
- Freeze Protection Kit
- Front and Rear Split Drums
- High Ambient Cooling System
- Halogen Lights w/Drum Edge Lights
- High Intensity Discharge (HID) Lights w/Drum Edge Lighting
- Mirrors
- Offset Hitch
- Product Link
- Recording Module (cab only)
- Roading Lights
- ROPS/FOPS Cab
- Split Drums
- Temperature Indicator (asphalt)
- Versa Vibe™ Vibratory System
- Warning Beacon
- Water Distribution Mats (cocoa)
- Water Distribution Mats (rubber)

CB54B SPECIFICATIONS



Dimensions

1 Overall Length	4565 mm	14' 9"
2 Drum Width	1700 mm	67"
Drum Offset	170 mm	6"
Drum Shell Thickness	17 mm	0.67"
Drum Diameter	1198 mm	47"
3 Overall width	1872 mm	6' 2"
4 Height at ROPS/FOPS	2982 mm	9' 9"
Height at Cab	2982 mm	9' 9"
5 Wheelbase	3300 mm	10' 10"
6 Curb Clearance	934 mm	37"
7 Ground Clearance	268 mm	10"

Weights

Operating Weight - Split Drum with ROPS/FOPS/CAB

Standard Machine	10 670 kg	23,525 lb
Maximum Machine	12 160 kg	26,808 lb
Static linear Load	31.5 kg/cm	176 lb/in

Operating Weight - Solid Drum with ROPS/FOPS/CAB

Standard Machine	9 710 kg	21,407 lb
Maximum Machine	10 510 kg	23,171 lb
Static linear Load	28.5 kg/cm	160 lb/in

Operating Weight - Split Drum with ROPS/FOPS/CANOPY

Standard Machine	10 410 kg	22,950 lb
Maximum Machine	11 790 kg	25,995 lb
Static linear Load	30.8 kg/cm	173 lb/in

Operating Weight - Solid Drum with ROPS/FOPS/CANOPY

Standard Machine	9 500 kg	20,945 lb
Maximum Machine	10 235 kg	22,564 lb
Static linear Load	27.8 kg/cm	156 lb/in

Powertrain

Engine Model	Cat C4.4 ACERT™		
Tier 4 Interim, Stage IIIB	98 kW	131 hp	133.2 metric hp
Number of Cylinders	4		
Rated Speed	2200 rpm		
Speed Ranges			
Low	0 - 7 km/hr	0 - 4.3 mph	
High	0 - 11 km/hr	0 - 7 mph	

Capacities

Fuel Tank	208 L	55 gal
Fuel Usage (50% duty)	12 hours	
Water Tank	837 L	221 gal

Vibratory Systems

Two Amplitude, Two Frequency – Split Drum

Low Frequency	42 Hz	2520 vpm
Amplitude	0.61 mm	0.024 in
Centrifugal Force	75.5 kN	16,973 lbF
High Frequency	53.3 Hz	3200 vpm
Amplitude	0.33 mm	0.013 in
Centrifugal Force	86.7 kN	19,491 lbF

Two Amplitude, Two Frequency – Solid Drum

Low Frequency	43 Hz	2,580 vpm
Amplitude	0.82 mm	0.032 in
Centrifugal Force	69.9 kN	15,714 lbF
High Frequency	63.3 Hz	3,800 vpm
Amplitude	0.32 mm	0.012 in
Centrifugal Force	81.6 kN	18,344 lbF

Two Amplitude, Two Frequency – Solid Drum

Low Frequency	43 Hz	2,580 vpm
Amplitude	0.82 mm	0.032 in
Centrifugal Force	49.6 kN	11,151 lbF
High Frequency	53.3 Hz	3,200 vpm
Amplitude	0.32 mm	0.012 in
Centrifugal Force	81.6 kN	18,344 lbF

Five Amplitude – Solid Drum

Frequency	43 Hz	2580 vpm
Amplitude		
High	1.06 mm	0.042 in
Medium high	0.91 mm	0.036 in
Medium	0.73 mm	0.029 in
Medium low	0.54 mm	0.021 in
Low	0.34 mm	0.013 in
Centrifugal Force		
High	107 kN	24,055 lbF
Low	34.6 kN	7,778 lbF

Versa-Vibe™ – Solid Drum

Low Frequency	43 Hz	2580 vpm
Amplitude - High	0.86 mm	0.034 in
Amplitude - Low	0.72 mm	0.028 in
Centrifugal Force		
High	87.6 kN	19,693 lbF
Low	72.9 kN	16,389 lbF
High Frequency	63.3 Hz	3800 vpm
Amplitude - High	0.39 mm	0.015 in
Amplitude - Low	0.26 mm	0.010 in
Centrifugal Force		
High	86.7 kN	19,491 lbF
Low	58.2 kN	13,084 lbF

CD44B

DRUM-STEER ROLLER.



APPLICATIONS

- Cul-de-sacs, confined areas, highways, urban streets, parking lots, rural roads
- 1.5 m (59") drums cover widths up to 3.6 m (12') in three overlapping passes
- Offset mode covers widths up to 2.8 m (9' 3")
- Recommended for lift thicknesses up to 76 mm (3")

✓ AVAILABLE IN SOLID OR SPLIT DRUM MODELS



Solid Drum



Split Drum

STANDARD AND OPTIONAL EQUIPMENT

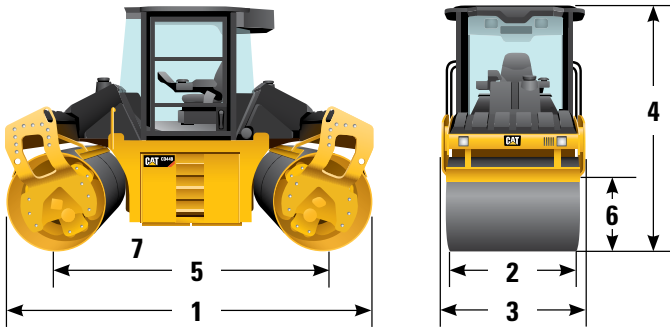
Standard Equipment:

- 2-Amplitude/2-Frequency Vibe System
- 12-Volt Electrical System
- 120 Amp Alternator
- 600 L (158 gal) Water Tank Capacity
- Automatic Traction Control
- Front and Rear Solid Drums
- Locking Engine Compartment
- Rooding Lights
- ROPS/FOPS Platform
- Sealed Pod Vibratory System
- Suspension Seat
- Triple-Filtered Water Spray System
- Two-Speed Hydrostatic Transmission

Optional Equipment:

- Air Conditioning (cab only)
- Air Suspension Seat w/Heat
- Bio-Degradable Oil
- Cat Compaction Control
- Chip Spreader Ready (split drum)
- Edge Cutter
- Freeze Protection Kit
- Front and Rear Split Drums
- Halogen Lights w/Drum Edge Lights
- High Ambient Cooling System
- High Intensity Discharge (HID) w/Drum Edge Lighting
- Mirrors
- Product Link
- Recording Module (cab only)
- Rooding Lights
- ROPS/FOPS Cab
- Temperature Indicator (asphalt)
- Warning Beacon
- Water Distribution Mats (cocoa)
- Water Distribution Mats (rubber)

CD44B SPECIFICATIONS



Dimensions

1 Overall length	4284 mm	13' 10"
2 Drum width	1500 mm	59"
Drum offset	1320 mm	51"
Max. compaction width	2820 mm	111"
Drum shell thickness	16 mm	0.67"
Drum diameter	1106 mm	44"
3 Overall width	1664 mm	5' 6"
4 Height at ROPS/FOPS	2940 mm	9' 8"
Height at cab	2940 mm	9' 8"
5 Wheelbase	3120 mm	10' 3"
6 Curb clearance	663 mm	26"
7 Ground clearance	273 mm	10"

Weights

Operating Weight - Split Drum with ROPS/FOPS/CAB

Standard machine	8 390 kg	18,497 lb
Maximum machine	9 450 kg	20,834 lb
Static linear load	27.9 kg/cm	170 lb/in

Operating Weight - Solid Drum with ROPS/FOPS/CAB

Standard machine	7 400 kg	16,314 lb
Maximum machine	7 980 kg	17,593 lb
Static linear load	24.5 kg/cm	150 lb/in

Operating Weight - Split Drum with ROPS/FOPS/CANOPY

Standard machine	8 190 kg	18,056 lb
Maximum machine	9 220 kg	20,327 lb
Static linear load	27.2 kg/cm	166 lb/in

Operating Weight - Solid Drum with ROPS/FOPS/CANOPY

Standard machine	7 200 kg	15,873 lb
Maximum machine	7 760 kg	17,108 lb
Static linear load	23.9 kg/cm	146 lb/in

Powertrain

Engine Model	Cat C3.4 ACERT™		
Tier 4 Interim, Stage IIIB	75 kW	100 hp	102 metric hp
Number of Cylinders	4		
Rated Speed	2200 rpm		
Speed Ranges			
Low	0 - 7 km/hr	0 - 4.3 mph	
High	0 - 12 km/hr	0 - 7.5 mph	

Capacities

Fuel Tank	135 L	36 gal
Fuel Usage (50% duty)	12 hours	
Water Tank	600 L	159 gal

Vibratory Systems

Two Amplitude, Two Frequency – Split Drum

Low Frequency	42 Hz	2520 vpm
Amplitude	0.62 mm	0.024 in
Centrifugal Force	59.2 kN	13,309 lbF
High Frequency	53.3 Hz	3200 vpm
Amplitude	0.31 mm	0.012 in
Centrifugal Force	73.8 kN	16,591 lbF

Two Amplitude, Two Frequency – Solid Drum

Low Frequency	53.3 Hz	3200 vpm
Amplitude	0.65 mm	0.026 in
Centrifugal Force	53.3 kN	11,982 lbF
High Frequency	63.3 Hz	3800 vpm
Amplitude	0.31 mm	0.012 in
Centrifugal Force	78.3 kN	17,603 lbF

Two Amplitude, Two Frequency – Solid Drum

Low Frequency	45 Hz	2700 vpm
Amplitude - high	0.65 mm	0.026 in
Centrifugal Force	26.9 kN	6,047 lbF
Amplitude - low	0.31 mm	0.012 in
Centrifugal Force	55.7 kN	12,522 lbF

High Frequency*	50/57 Hz	3200/3420 vpm
Amplitude - high	0.65 mm	0.026 in
Centrifugal Force	43.2 kN	9,712 lbF
Amplitude - low	0.31 mm	0.012 in
Centrifugal Force	68.8 kN	15,467 lbF

* System is available with 3rd frequency that produces a higher centrifugal force.

CD54B

DRUM-STEER ROLLER.



APPLICATIONS

- Cul-de-sacs, confined areas, interstates, highways, urban streets, large parking lots, rural roads
- 1.7 m (67") drums cover widths up to 4.8 m (16') in three overlapping passes
- Offset mode covers widths up to 3 m (9' 10")
- Recommended for lift thicknesses up to and greater than 101 mm (4")

✓ AVAILABLE IN SOLID OR SPLIT DRUM MODELS



Solid Drum



Split Drum

STANDARD AND OPTIONAL EQUIPMENT

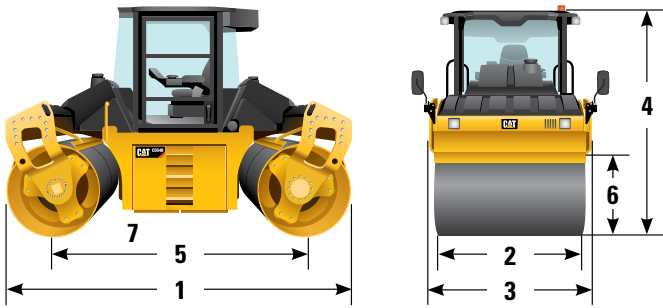
Standard Equipment:

- 2-Amplitude/2-Frequency Vibe System
- 12-Volt Electrical System
- 120 Amp Alternator
- 750 L (198 gal) Water Tank Capacity
- Automatic Speed Control
- Automatic Traction Control
- Automatic Vibratory Control
- Eco-mode
- Front and Rear Solid Drums
- Locking Engine Compartment
- Rooding Lights
- ROPS/FOPS Platform
- Suspension Seat
- Triple-Filtered Water Spray System
- Two-Speed Hydrostatic Transmission

Optional Equipment:

- Air Conditioning
- Air Suspension Seat w/Heat
- Bio-Degradable Oil
- Cat Compaction Control
- Chip Spreader Ready (split drum)
- Edge Cutter
- Freeze Protection Kit
- Front and Rear Solid Drums
- Halogen Lights w/Drum Edge Lights
- High Ambient Cooling System
- High Intensity Discharge (HID) w/Drum Edge Lighting
- IRH Compliant
- Mirrors
- Product Link
- Recording Module (cab only)
- Rooding Lights
- ROPS/FOPS Cab
- Split Drums
- Temperature Indicator (asphalt)
- Warning Beacon
- Water Distribution Mats (cocoa)
- Water Distribution Mats (rubber)

CD54B SPECIFICATIONS



Dimensions

1 Overall length	4322 mm	14' 2"
2 Drum width	1700 mm	67"
Drum offset	1320 mm	51"
Max. compaction width	3020 mm	118"
Drum shell thickness	17 mm	0.67"
Drum diameter	1202 mm	44"
3 Overall width	1874 mm	6' 2"
4 Height at ROPS/FOPS	2990 mm	9' 8"
Height at cab	2985 mm	9' 9"
5 Wheelbase	3120 mm	10' 3"
6 Curb clearance	808 mm	31"
7 Ground clearance	272 mm	10"

Weights

Operating Weight - Split Drum with ROPS/FOPS/CAB

Standard machine	10 120 kg	22,311 lb
Maximum machine	11 440 kg	25,220 lb
Static linear load	29.5 kg/cm	165 lb/in

Operating Weight - Solid Drum with ROPS/FOPS/CAB

Standard machine	9 030 kg	19,908 lb
Maximum machine	9 740 kg	21,475 lb
Static linear load	26.5 kg/cm	148 lb/in

Operating Weight - Split Drum with ROPS/FOPS/CANOPY

Standard machine	9 860 kg	21,738 lb
Maximum machine	11 170 kg	24,625 lb
Static linear load	28.6 kg/cm	160 lb/in

Operating Weight - Solid Drum with ROPS/FOPS/CANOPY

Standard machine	8 770 kg	19,335 lb
Maximum machine	9 470 kg	20,880 lb
Static linear load	25.8 kg/cm	145 lb/in

Powertrain

Engine Model	Cat C3.4 ACERT™		
Tier 4 Interim, Stage IIIB	75 kW	100 hp	102 metric hp
Number of Cylinders	4		
Rated Speed	2200 rpm		
Speed Ranges			
Low	0 - 7 km/hr	0 - 4.3 mph	
High	0 - 11 km/hr	0 - 7 mph	

Capacities

Fuel Tank	135 L	36 gal
Fuel Usage (50% duty)	12 hours	
Water Tank	750 L	198 gal

Vibratory Systems

Two Amplitude, Two Frequency – Split Drum

Low Frequency	42 Hz	2520 vpm
Amplitude	0.61 mm	0.023 in
Centrifugal Force	75.5 kN	16,973 lbF
High Frequency	53.3 Hz	3200 vpm
Amplitude	0.33 mm	0.013 in
Centrifugal Force	86.7 kN	19,491 lbF

Two Amplitude, Two Frequency – Solid Drum

Low Frequency	43 Hz	2,580 vpm
Amplitude	0.82 mm	0.026 in
Centrifugal Force	49.6 kN	11,151 lbF
High Frequency	53.3 Hz	3,200 vpm
Amplitude	0.32 mm	0.013 in
Centrifugal Force	81.6 kN	18,344 lbF

CB64B

ARTICULATING ROLLER



APPLICATIONS

- Interstates, highways, urban streets, large parking lots, rural roads
- 2.0 m (79") drums cover widths up to 4.8 m (16') in three overlapping passes
- Drum offset increases compaction width to 2.2 m (90")
- Recommended for lift thicknesses up to and greater than 101 mm (4")

✓ EQUIPPED WITH 2.0 M (79") DRUMS



STANDARD AND OPTIONAL EQUIPMENT

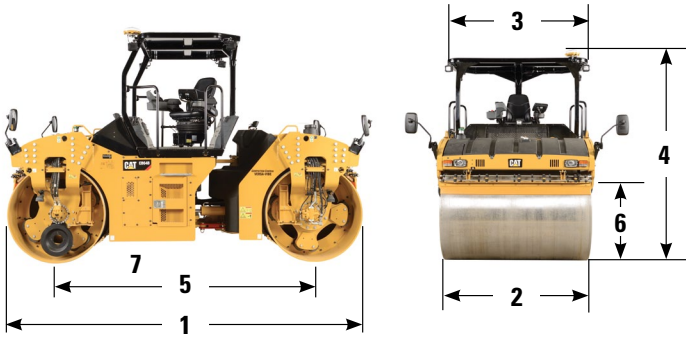
Standard Equipment:

- 5-Amplitude Vibe System
- 12-Volt Electrical System
- 120 Amp Alternator
- 1000 L (264 gal) Water Tank Capacity
- Automatic Speed Control
- Automatic Traction Control
- Automatic Vibratory Control
- Eco-mode
- Front and Rear Solid Drums
- Locking Engine Compartment
- Mirrors
- Rooding Lights
- ROPS/FOPS Platform
- Sealed Pod Vibratory System
- Solid Drums
- Suspension Seat
- Triple-Filtered Water Spray System with Plastic Spray Nozzles
- Two-Speed Hydrostatic Transmission
- Working Lights

Optional Equipment:

- 2-Amplitude/2-Frequency Vibe System
- 360° Seating
- Accelerometer Ready Kit
- Air Conditioning
- Air Suspension Seat w/Heat
- Bio-Degradable Oil
- Brass Water Spray Nozzles
- Cat Compaction Control
 - Drum Accelerometer
 - Infra-Red Temperature Sensor
 - Temperature Mapping
 - Pass-Count Mapping
- Edge Cutter
- Freeze Protection Kit
- Halogen Lights w/Drum Edge Lights
- High Intensity Discharge (HID) w/Drum Edge Lighting
- Mirrors
- Offset Hitch
- Product Link (631 or 641)
- Recording Module (cab only)
- Rooding Lights
- ROPS/FOPS Cab
- Temperature Indicator (asphalt)
- Versa-Vibe Vibratory Systems
- Warning Beacon
- Water Distribution Mats (cocoa)
- Water Distribution Mats (rubber)

CB64B SPECIFICATIONS



Dimensions

1 Overall Length	4742 mm	15' 6"
2 Drum Width	2000 mm	79"
Drum Offset	170 mm	6"
Drum Shell Thickness	17 mm	0.67"
Drum Diameter	1300 mm	51"
3 Overall width at ROPS	2325 mm	7' 8"
4 Height at ROPS/FOPS/Cab with Product Link™	3068 mm	10'
	3090 mm	10' 2"
5 Wheelbase	3450 mm	11' 3"
6 Curb Clearance	723 mm	28"
7 Ground Clearance	292 mm	11.5"

Weights

Operating Weight - ROPS/FOPS/CAB

Standard machine	12 180 kg	26,852 lb
Maximum machine	13 780 kg	30,380 lb
Static linear load	30 kg/cm	168 lb/in

Powertrain

Engine Model	Cat C4.4 ACERT™		
Tier 4 Final, Stage IV	106 kW	142 hp	144 metric hp
Number of Cylinders	4		
Rated Speed	2200 rpm		
Speed Ranges			
Low	0 - 7 km/hr	0 - 4.5 mph	
High	0 - 13 km/hr	0 - 8 mph	

Capacities

Fuel Tank	250 L	66 gal
Fuel Usage (50% duty)	12 hours	
Water Tank	1000 L	264 gal

Vibratory Systems

Five Amplitude

Frequency	42 Hz	2520 vpm
Amplitude		
High	0.96 mm	0.038 in
Medium high	0.82 mm	0.032 in
Medium	0.66 mm	0.026 in
Medium low	0.49 mm	0.019 in
Low	0.30 mm	0.012 in
Centrifugal Force		
High	110.0 kN	24,728 lbF
Low	34.7 kN	7,800 lbF

Versa-Vibe™

Low Frequency	42 Hz	2520 vpm
Amplitude - High	0.78 mm	0.030 in
Amplitude - Low	0.66 mm	0.026 in
Centrifugal Force		
High	88.8 kN	19,963 lbF
Low	75.4 kN	16,950 lbF
High Frequency	63.3 Hz	3800 vpm
Amplitude - High	0.40 mm	0.016 in
Amplitude - Low	0.30 mm	0.012 in
Centrifugal Force		
High	103.3 kN	23,222 lbF
Low	77.5 kN	17,422 lbF

Two Amplitude, Two Frequency (Not available in the U.S. or Canada)

Low Frequency	42 Hz	2520 vpm
Amplitude	0.77 mm	0.030 in
Centrifugal Force	76.3 kN	17,153 lbF
High Frequency	63.3 Hz	3800 vpm
Amplitude	0.27 mm	0.010 in
Centrifugal Force	87.2 kN	19,603 lbF

CB66B

ARTICULATING ROLLER



CB66B Shown

APPLICATIONS

- Interstates, highways, urban streets, large parking lots, rural roads
- 2.13 m (84") drums cover widths up to 4.8 m (16') in three overlapping passes
- Drum offset increases compaction width to 2.2 m (90")
- Recommended for lift thicknesses up to and greater than 101 mm (4")

✓ EQUIPPED WITH 2.13 M (84") DRUMS



STANDARD AND OPTIONAL EQUIPMENT

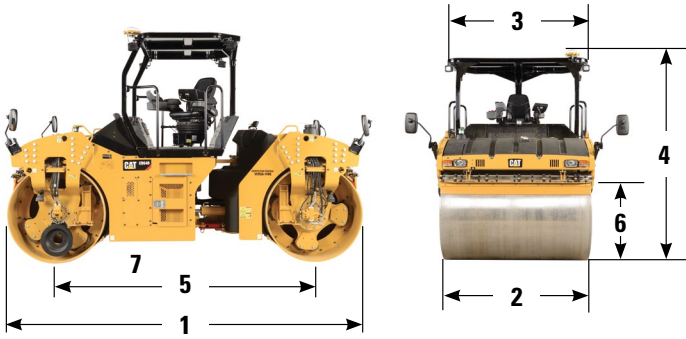
Standard Equipment:

- 5-Amplitude Vibe System
- 12-Volt Electrical System
- 120 Amp Alternator
- 1000 L (264 gal) Water Tank Capacity
- Automatic Speed Control
- Automatic Traction Control
- Automatic Vibratory Control
- Eco-mode
- Front and Rear Solid Drums
- Locking Engine Compartment
- Mirrors
- Rooding Lights
- ROPS/FOPS Platform
- Sealed Pod Vibratory System
- Solid Drums
- Suspension Seat
- Triple-Filtered Water Spray System with Plastic Spray Nozzles
- Two-Speed Hydrostatic Transmission
- Working Lights

Optional Equipment:

- 2-Amplitude/2-Frequency Vibe System
- 360° Seating
- Accelerometer Ready Kit
- Air Conditioning
- Air Suspension Seat w/Heat
- Bio-Degradable Oil
- Brass Water Spray Nozzles
- Cat Compaction Control
 - Drum Accelerometer
 - Infra-Red Temperature Sensor
 - Temperature Mapping
 - Pass-Count Mapping
- Edge Cutter
- Freeze Protection Kit
- Halogen Lights w/Drum Edge Lights
- High Intensity Discharge (HID) w/Drum Edge Lighting
- Mirrors
- Offset Hitch
- Product Link (631 or 641)
- Recording Module (cab only)
- Rooding Lights
- ROPS/FOPS Cab
- Temperature Indicator (asphalt)
- Versa-Vibe Vibratory Systems
- Warning Beacon
- Water Distribution Mats (cocoa)
- Water Distribution Mats (rubber)

CB66B SPECIFICATIONS



Dimensions

1 Overall Length	4742 mm	15' 6"
2 Drum Width	2130 mm	84"
Drum Offset	170 mm	6"
Drum Shell Thickness	17 mm	0.67"
Drum Diameter	1300 mm	51"
3 Overall width at ROPS	2325 mm	7' 8"
4 Height at ROPS/FOPS/Cab with Product Link™	3068 mm	10'
5 Wheelbase	3450 mm	11' 3"
6 Curb Clearance	723 mm	28"
7 Ground Clearance	292 mm	11.5"

Weights

Operating Weight - ROPS/FOPS/CAB

Standard machine	13 180 kg	29,057 lb
Maximum machine	14 780 kg	32,584 lb
Static linear load	30.5 kg/cm	171 lb/in

Powertrain

Engine Model	Cat C4.4 ACERT™		
Tier 4 Final, Stage IV	106 kW	142 hp	144 metric hp
Number of Cylinders	4		
Rated Speed	2200 rpm		
Speed Ranges			
Low	0 - 7 km/hr	0 - 4.5 mph	
High	0 - 13 km/hr	0 - 8 mph	

Capacities

Fuel Tank	250 L	66 gal
Fuel Usage (50% duty)	12 hours	
Water Tank	1000 L	264 gal

Vibratory Systems

Five Amplitude

Frequency	42 Hz	2520 vpm
Amplitude		
High	1.03 mm	0.041 in
Medium high	0.95 mm	0.037 in
Medium	0.83 mm	0.033 in
Medium low	0.65 mm	0.026 in
Low	0.41 mm	0.016 in
Centrifugal Force		
High	138.2 kN	31,069 lbF
Low	55.2 kN	12,409 lbF

Versa-Vibe™

Low Frequency	42 Hz	2520 vpm
Amplitude - High	0.67 mm	0.026 in
Amplitude - Low	0.57 mm	0.022 in
Centrifugal Force		
High	88.8 kN	19,963 lbF
Low	75.4 kN	16,950 lbF
High Frequency	63.3 Hz	3800 vpm
Amplitude - High	0.34 mm	0.016 in
Amplitude - Low	0.26 mm	0.012 in
Centrifugal Force		
High	103.3 kN	23,222 lbF
Low	77.5 kN	17,422 lbF

Two Amplitude, Two Frequency (Not available in the U.S. or Canada)

Low Frequency	42 Hz	2520 vpm
Amplitude	0.77 mm	0.030 in
Centrifugal Force	76.3 kN	17,153 lbF
High Frequency	63.3 Hz	3800 vpm
Amplitude	0.27 mm	0.010 in
Centrifugal Force	87.2 kN	19,603 lbF

CB68B

ARTICULATING ROLLER



CB68B Shown

APPLICATIONS

- Interstates, highways, urban streets, large parking lots, rural roads
- 2.13 m (84") drums cover widths up to 4.8 m (16') in three overlapping passes
- Drum offset increases compaction width to 2.2 m (90")
- Recommended for lift thicknesses up to and greater than 101 mm (4")

✓ EQUIPPED WITH 2.13 M (84") DRUMS



STANDARD AND OPTIONAL EQUIPMENT

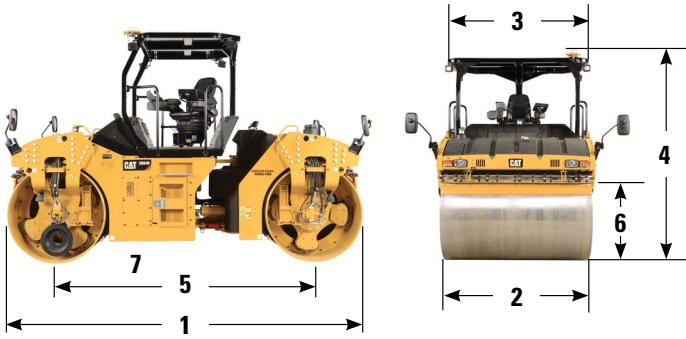
Standard Equipment:

- 5-Amplitude Vibe System
- 12-Volt Electrical System
- 120 Amp Alternator
- 1000 L (264 gal) Water Tank Capacity
- Automatic Speed Control
- Automatic Traction Control
- Automatic Vibratory Control
- Eco-mode
- Front and Rear Solid Drums
- Locking Engine Compartment
- Mirrors
- Rooding Lights
- ROPS/FOPS Platform
- Sealed Pod Vibratory System
- Solid Drums
- Suspension Seat
- Triple-Filtered Water Spray System with Plastic Spray Nozzles
- Two-Speed Hydrostatic Transmission
- Working Lights

Optional Equipment:

- 2-Amplitude/2-Frequency Vibe System
- 360° Seating
- Accelerometer Ready Kit
- Air Conditioning
- Air Suspension Seat w/Heat
- Bio-Degradable Oil
- Brass Water Spray Nozzles
- Cat Compaction Control
 - Drum Accelerometer
 - Infra-Red Temperature Sensor
 - Temperature Mapping
 - Pass-Count Mapping
- Edge Cutter
- Freeze Protection Kit
- Halogen Lights w/Drum Edge Lights
- High Intensity Discharge (HID) w/Drum Edge Lighting
- Mirrors
- Offset Hitch
- Product Link (631 or 641)
- Recording Module (cab only)
- Rooding Lights
- ROPS/FOPS Cab
- Temperature Indicator (asphalt)
- Versa-Vibe Vibratory Systems
- Warning Beacon
- Water Distribution Mats (cocoa)
- Water Distribution Mats (rubber)

CB68B SPECIFICATIONS



Dimensions

1 Overall Length	4742 mm	15' 6"
2 Drum Width	2130 mm	84"
Drum Offset	170 mm	6"
Drum Shell Thickness	17 mm	0.67"
Drum Diameter	1300 mm	51"
3 Overall width at ROPS	2325 mm	7' 8"
4 Height at ROPS/FOPS/Cab	3068 mm	10'
with Product Link™	3090 mm	10' 2"
5 Wheelbase	3450 mm	11' 3"
6 Curb Clearance	723 mm	28"
7 Ground Clearance	292 mm	11.5"

Weights

Operating Weight - ROPS/FOPS/CAB

Standard machine	14 180 kg	31,162 lb
Maximum machine	14 780 kg	32,584 lb
Static linear load	32.9 kg/cm	184 lb/in

Powertrain

Engine Model	Cat C4.4 ACERT™		
Tier 4 Final, Stage IV	106 kW	142 hp	144 metric hp
Number of Cylinders	4		
Rated Speed	2200 rpm		
Speed Ranges			
Low	0 - 7 km/hr	0 - 4.5 mph	
High	0 - 13 km/hr	0 - 8 mph	

Capacities

Fuel Tank	250 L	66 gal
Fuel Usage (50% duty)	12 hours	
Water Tank	1000 L	264 gal

Vibratory Systems

Five Amplitude

Frequency	42 Hz	2520 vpm
Amplitude		
High	1.03 mm	0.041 in
Medium high	0.95 mm	0.037 in
Medium	0.83 mm	0.033 in
Medium low	0.65 mm	0.026 in
Low	0.41 mm	0.016 in
Centrifugal Force		
High	138.2 kN	31,069 lbF
Low	55.2 kN	12,409 lbF

Versa-Vibe™

Low Frequency	42 Hz	2520 vpm
Amplitude - High	0.67 mm	0.026 in
Amplitude - Low	0.57 mm	0.022 in
Centrifugal Force		
High	88.8 kN	19,963 lbF
Low	75.4 kN	16,950 lbF
High Frequency	63.3 Hz	3800 vpm
Amplitude - High	0.34 mm	0.016 in
Amplitude - Low	0.26 mm	0.012 in
Centrifugal Force		
High	103.3 kN	23,222 lbF
Low	77.5 kN	17,422 lbF

Two Amplitude, Two Frequency (Not available in the U.S. or Canada)

Low Frequency	42 Hz	2520 vpm
Amplitude	0.77 mm	0.030 in
Centrifugal Force	76.3 kN	17,153 lbF
High Frequency	63.3 Hz	3800 vpm
Amplitude	0.27 mm	0.010 in
Centrifugal Force	87.2 kN	19,603 lbF

Having a goal like being the paving industry sales leader is no small challenge, even for the worldwide leader in the manufacture of equipment for the construction industry.

But ever since we sold our first paving equipment in 1986, we have continued to grow. Over the years, our machines have been recognized as dependable and rugged, easy to use and highly productive.

We have introduced innovations that have changed the way the world builds roads, features that our competitors now offer on their machines.

And with each new generation of machines we introduce, more and more customers around the world make the decision to switch to Cat.

For more complete information on Cat products, dealer services, and industry solutions, visit us on the web at www.cat.com.

BUILT FOR IT.™



QEDQ1610-04 (08/15)

© 2015 Caterpillar
All Rights Reserved

Materials and specifications are subject to change without notice.

Featured machines in photography may include additional equipment for special applications.

CAT, CATERPILLAR, BUILT FOR IT, their respective logos, "Caterpillar Yellow," the "Power Edge" trade dress as well as corporate and product identity used herein, are trademarks of Caterpillar and may not be used without permission.

