

# Cat<sup>®</sup> Pin Grabber

Excavator Couplers

## Technical Specifications

Not all attachments are available in all regions. Consult your Cat<sup>®</sup> dealer for specific configurations available in your region.

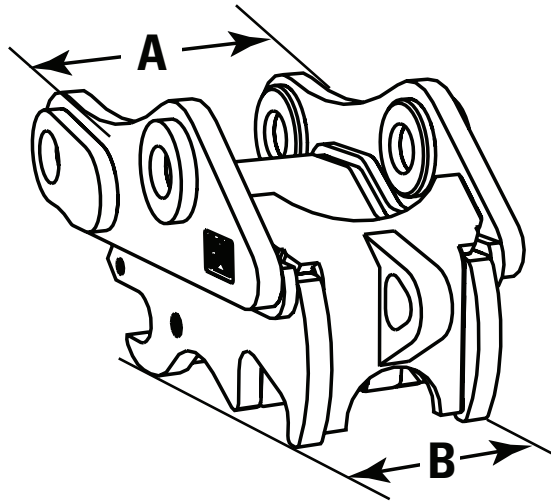
### Table of Contents

Specifications .....	2
Machine Matching.....	3
Attachment Specifications .....	5
Options .....	7

# Pin Grabber Couplers Technical Specifications

## Specifications

Part numbers for coupler models with no lift eye are listed below. They are available to Japan to meet local lifting restrictions. Coupler weights do not include pins.



Coupler Model (Linkage)	Part No.	Weight		Recommended Carrier Weight		Width (A) (at machine interface)		Width (B) (at attachment interface)		Includes Connecting Lines (Yes/No)	Lift Eye (Yes/No)	Lift Eye Working Load Limit	
		kg	lb	Minimum	Maximum	mm	in	mm	in			kg	lb
		tons	tons										
312	388-6156	188	414	11	15	381.0	15.00	211.0	8.31		Yes	10 000	22,046
	455-3914	188	414	11	15	381.0	15.00	211.0	8.31	Yes	Yes	10 000	22,046
	486-5362	185	408	11	15	381.0	15.00	211.0	8.31				
315	391-4347	299	659	15	18	460.0	18.11	271.0	10.67		Yes	10 000	22,046
	455-3916	299	659	15	18	460.0	18.11	271.0	10.67	Yes	Yes	10 000	22,046
	486-5364	297	655	15	18	460.0	18.11	271.0	10.67				
B	388-0067	380	838	19	23	512.0	20.16	302.0	11.89		Yes	10 000	22,046
	455-3909	380	838	19	23	512.0	20.16	302.0	11.89	Yes	Yes	10 000	22,046
	455-3910	380	838	19	23	512.0	20.16	302.0	11.89	Yes	Yes	10 000	22,046
	486-5366	374	825	19	23	512.0	20.16	302.0	11.89				
CB – Trenching	389-7526	430	948	24	35	491.0	19.33	340.0	13.39		Yes	14 000	30,865
CB	389-7189	465	1025	24	35	550.0	21.65	340.0	13.39		Yes	14 000	30,865
	455-3911	465	1025	24	35	550.0	21.65	340.0	13.39	Yes	Yes	14 000	30,865
	455-3912	465	1025	24	35	550.0	21.65	340.0	13.39	Yes	Yes	14 000	30,865
	486-5368	455	1003	24	35	550.0	21.65	340.0	13.39				
DB – Narrow Profile	388-9724	624	1376	30	40	590.0	23.23	340.0	13.39		Yes	14 000	30,865
DB	389-8070	621	1369	30	40	590.0	23.23	380.0	14.96		Yes	14 000	30,865
	455-3905	621	1369	30	40	590.0	23.23	380.0	14.96	Yes	Yes	14 000	30,865
	455-3906	621	1369	30	40	590.0	23.23	380.0	14.96	Yes	Yes	14 000	30,865
	486-5374	612	1349	30	40	590.0	23.23	380.0	14.96				
TB – Trenching	390-0904	934	2059	45	52	654.5	25.77	433.0	17.05		Yes	20 000	44,092
TB	390-1017	944	2081	45	52	665.0	26.18	433.0	17.05		Yes	20 000	44,092
	455-3907	944	2081	45	52	665.0	26.18	433.0	17.05	Yes	Yes	20 000	44,092
	455-3908	944	2081	45	52	665.0	26.18	433.0	17.05	Yes	Yes	20 000	44,092
	486-5736	931	2053	45	52	665.0	26.18	433.0	17.05				
VB2	566-3070	1244	2743	74	74	783.0	30.83	493.0	19.41		Yes	20 000	44,092
	570-6303	1244	2743	74	74	783.0	30.83	493.0	19.41	Yes	Yes	20,000	44,092
HB2	566-3054	1556	3430	90	95	896.0	35.28	542.0	21.34		Yes	24 000	52,911
	570-6304	1556	3430	90	95	896.0	35.28	542.0	21.34	Yes	Yes	24,000	52,911

# Pin Grabber Couplers Technical Specifications

## Machine Matching

Caterpillar classifies excavator buckets according to the “linkage family” at the end of the stick.

Refer to the following charts to identify which linkage family each Cat excavator uses when determining bucket compatibility.

Not all machines are available in all regions. Consult your Cat dealer for specific machines and configurations available in your region.

Match
  Match for Reach linkage configured machine
  Not a match

Coupler Model (Linkage)	312	315	B	CB	CB – Trenching	DB	DB – Narrow Profile	TB	TB – Trenching	VB/VB2	HB/HB2
<b>Small Excavators</b>											
311D/F	●										
312D/E	●										
312D2/D2 GC	●										
313D2/D2 GC	●										
312F GC/313F GC	●										
312F/313F	●										
314D/E/F	●										
315F	●										
315D/316E/F		●									
318E/F		●									
318D2		●									
319D			●								
<b>Medium Excavators</b>											
320D/E/F			●								
320D2/D3			●								
320 GC			●								
320			●								
321D			●								
323D/D3			●								
323E/F			●								
323			●								
324D/E				○	○						
325D/F				○	○						
325				○	○						
326D2/F				○	○						
326				○	○						
328D				○	○						
329D/E/F				○	○						
330D/D2						○	○				
330F				○	○						
330 GC				○	○						
330				○	○						
335F				○	○						

(continued on next page)

# Pin Grabber Couplers Technical Specifications

## Machine Matching *(continued)*

Caterpillar classifies excavator buckets according to the “linkage family” at the end of the stick.

Refer to the following charts to identify which linkage family each Cat excavator uses when determining bucket compatibility.

Not all machines are available in all regions. Consult your Cat dealer for specific machines and configurations available in your region.

Match
  Match for Reach linkage configured machine
  Not a match

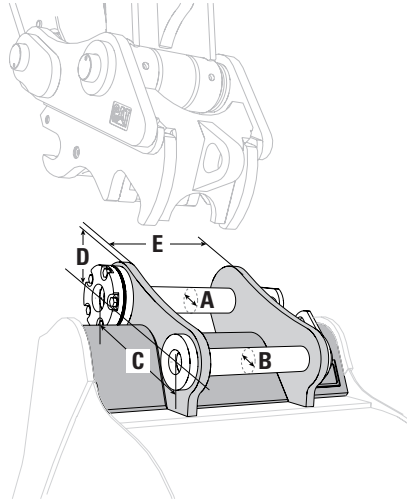
Coupler Model (Linkage)	312	315	B	CB	CB – Trenching	DB	DB – Narrow Profile	TB	TB – Trenching	VB/VB2	HB/HB2
<b>Large Excavators</b>											
336D/D2/E						○	○				
336D2 GC											
336D2 XE						○	○				
336E H						○	○				
336F						○	○				
336F XE						○	○				
336 GC						○	○				
336						○	○				
340D2						○	○				
340F						○	○				
345 GC								○	○		
345D/349D								○	○		
349D2								○	○		
349E/F								○	○		
352F								○	○		
349								○	○		
352								○	○		
374F										○	
374										○	
390F											○
395											○
<b>Wheeled Excavators</b>											
M313D		● <sup>^</sup>									
M315D/D2/F		● <sup>^</sup>									
M314F		● <sup>^</sup>									
M316D/F		● <sup>^</sup>									
M317D2/F		● <sup>^</sup>									
M318D			●								
M318F		● <sup>^</sup>									
M320D2/F			●								
M322D/D2/F			●								

<sup>^</sup>Use of a coupler will result in a 15° decrease in work tool rotation.

# Pin Grabber Couplers Technical Specifications

## Attachment Specifications

By knowing some key measurements and considerations, you will have the ability to pick up a wide range of attachments with your Cat Pin Grabber Coupler.



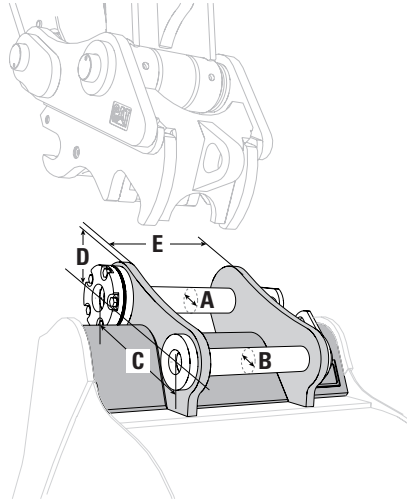
Coupler Model (Linkage)	Part Number	Pin Diameters				Pin Spread Range (C)				Sideplate Clearance (D)		Face Spread Range (E)			
		Stick – Front (A)		Link – Rear (B)		Minimum		Maximum		Maximum		Minimum		Maximum	
		mm	in	mm	in	mm	in	mm	in	mm	in	mm	in	mm	in
312	388-6156	60	2.36	60	2.36	348	13.70	410	16.14	113	4.45	213	8.39	241	9.49
	455-3914	60	2.36	65	2.56	351	13.82	421	16.57						
	486-5362	65	2.56	60	2.36	358	14.09	420	16.54						
		65	2.56	65	2.56	361	14.21	431	16.97						
315	391-4347	70	2.76	70	2.76	399	15.71	470	18.50	126	4.96	273	10.75	297	11.69
	455-3916														
	486-5364														
B	388-0067	80	3.15	80	3.15	443	17.44	490	19.29	132	5.20	304	11.97	327	12.87
	455-3909														
	455-3910														
	486-5366														
CB – Trenching	389-7526	80	3.15	80	3.15	458	18.03	512	20.16	159	6.26	342	13.46	371	14.61
		80	3.15	90	3.54	462	18.19	526	20.71						
		90	3.54	80	3.15	468	18.43	522	20.55						
		90	3.54	90	3.54	472	18.58	536	21.10						
CB	389-7189	80	3.15	80	3.15	458	18.03	512	20.16	159	6.26	342	13.46	371	14.61
	455-3911	80	3.15	90	3.54	462	18.19	526	20.71						
	455-3912	90	3.54	80	3.15	468	18.43	522	20.55						
	486-5368	90	3.54	90	3.54	472	18.58	536	21.10						
DB – Narrow profile	388-9724	90	3.54	80	3.15	479	18.86	558	21.97	159	6.26	342	13.46	365	14.37
		90	3.54	90	3.54	484	19.06	581	22.87						
		90	3.54	100	3.94	489	19.25	583	22.95						
		100	3.94	80	3.15	489	19.25	568	22.36						
		100	3.94	90	3.54	494	19.45	591	23.27						
		100	3.94	100	3.94	499	19.65	593	23.35						
DB	389-8070	90	3.54	80	3.15	479	18.86	558	21.97	159	6.26	382	15.04	407	16.02
	455-3905	90	3.54	90	3.54	484	19.06	581	22.87						
	455-3906	90	3.54	100	3.94	489	19.25	583	22.95						
	486-5374	100	3.94	80	3.15	489	19.25	568	22.36						
		100	3.94	90	3.54	494	19.45	591	23.27						
		100	3.94	100	3.94	499	19.65	593	23.35						

(continued on next page)

# Pin Grabber Couplers Technical Specifications

## Attachment Specifications *(continued)*

By knowing some key measurements and considerations, you will have the ability to pick up a wide range of attachments with your Cat Pin Grabber Coupler.



Coupler Model (Linkage)	Part Number	Pin Diameters				Pin Spread Range (C)				Sideplate Clearance (D)		Face Spread Range (E)			
		Stick – Front (A)		Link – Rear (B)		Minimum		Maximum		Maximum		Minimum		Maximum	
		mm	in	mm	in	mm	in	mm	in	mm	in	mm	in	mm	in
TB – Trenching	390-0904	100	3.94	100	3.94	529	20.83	598	23.54	169	6.65	435	17.13	456	17.95
		100	3.94	110	4.33	534	21.02	623	24.53						
		110	4.33	100	3.94	539	21.22	608	23.94						
		110	4.33	110	4.33	544	21.42	633	24.92						
TB	390-1017	100	3.94	100	3.94	529	20.83	598	23.54	169	6.65	435	17.13	456	17.95
	455-3907	100	3.94	110	4.33	534	21.02	623	24.53						
	455-3908	110	4.33	100	3.94	539	21.22	608	23.94						
	486-5736	110	4.33	110	4.33	544	21.42	633	24.92						
VB2	566-3070	110	4.33	100	3.94	595	23.43	645	25.39	180	7.09	495	19.49	530	20.87
	570-6303	110	4.33	110	4.33	600	23.62	640	25.20						
		110	4.33	120	4.72	605	23.82	635	25.00						
		120	4.72	100	3.94	605	23.82	655	25.79						
		120	4.72	110	4.33	610	24.02	650	25.59						
HB2	566-3054	120	4.72	110	4.33	590	23.23	686	27.01	190	7.48	544	21.42	579	22.80
	570-6304	120	4.72	120	4.72	595	23.43	681	26.81						
		120	4.72	130	5.12	600	23.62	676	26.61						
		130	5.12	110	4.33	600	23.62	696	27.40						
		130	5.12	120	4.72	605	23.82	691	27.20						
		130	5.12	130	5.12	610	24.02	686	27.01						

# Pin Grabber Couplers Technical Specifications

## Options

### Spare Pins

This chart is a quick reference to spare pins if extras are needed.

Each part number includes two spare pins and hardware.

Coupler Model (Linkage)	Spare Pins
312	253-6406
315	253-6407
B	177-8628
CB	268-4450
DB	268-5606
DB – Narrow profile	
TB	246-8124
VB	570-6305
HB	570-6306

### Clamping Spacers

This chart is a quick reference to spacers in the event an attachment interface is wider than recommended.

Each part number includes two steel spacers and two locking rings. Choose based on stick pin diameter.

Pin Diameter (mm)	Part Number	Thickness (each) (mm)
65	343-4530	14
70	343-4531	14
80	343-4532	20
90	343-4533	20
100	343-4534	20
110	343-4535	30
120	351-9387	30
130	351-9073	30

For more complete information on Cat products, dealer services, and industry solutions, visit us on the web at [www.cat.com](http://www.cat.com)

GEJQ9387-00 (04-2020)  
(Global)

© 2020 Caterpillar  
All rights reserved

Materials and specifications are subject to change without notice. Featured machines in photos may include additional equipment. See your Cat dealer for available options.

CAT, CATERPILLAR, LET'S DO THE WORK, their respective logos, "Caterpillar Corporate Yellow," the "Power Edge" and Cat "Modern Hex" trade dress as well as corporate and product identity used herein, are trademarks of Caterpillar and may not be used without permission.

