

# 816F Series 2

## Landfill Compactor



---

### Engine

Engine Model	Cat® C9 ACERT™	
Gross Power	189 kW	253 hp
Net Power	173 kW	232 hp

---

### Weights

Operating Weight	23 748 kg	52,364 lb
------------------	-----------	-----------

- Machine configured with heaviest options, 80 kg (176 lb) operator and full fuel tank

## 816F Series 2 Landfill Compactor

*An extremely versatile machine, the 816F2 is built with uncompromising quality for operating in harsh landfill conditions.*

---

### Trash Protection and Cooling System

- ✓ Numerous standard trash resistant features including our proven axle guard system and a sheet metal hood design combine with the Next Generation Modular Radiator to reduce production-robbing trash build-up and provide added cooling capacity. **pg. 4**

---

### Tips and Wheels

Caterpillar® designed and manufactured steel wheels match the power train for the durability you expect. These, combined with standard Plus Tips or chopper wheels, will provide excellent traction and sidehill stability to offer the most productive and efficient compaction. **pg. 6**

---

### Landfill Blades

Several blades are available through Cat® Work Tools and Services for dozing and spreading refuse to match your site requirements. **pg. 7**

---

### Complete Customer Support

Your Cat dealer is your one safe source for all your equipment needs. They offer a wide range of services that will fit your operation and keep you working longer with lower costs. **pg. 14**

*One World...One Machine.  
The Cat® 816F Series 2 Landfill Compactor offers...Exceptional trash protection, Greater productivity, Excellent machine stability and operator comfort, while meeting U.S. Environmental Protection Agency Tier 3 emissions regulations and Stage IIIA EU Emissions Directive 97/68/EC. Combine all this with the finest customer support system in the world through the Caterpillar dealer network and you get the lowest operating costs with the best up-time in the industry.*



---

### Power Train

- ✓ The Cat® C9 engine with ACERT™ Technology delivers maximum power and combines with the Electronic Clutch Pressure Control and planetary, powershift transmission to offer superior performance and reliability in landfill applications. **pg. 8**

---

### Operator's Station

Operator comfort and productivity are maximized by excellent visibility, careful positioning of levers, switches and gauges, attention to air quality and sound control, as well as built-in storage for your operator's personal items. **pg. 10**

---

### Serviceability

Many convenient features such as hinged service doors; accessible scheduled maintenance points; conveniently located sight gauges; in-cab, blade-type fuses and a separated cooling system make servicing easy. **pg. 12**



✓ *New Feature*

## Trash Protection and Cooling System

*Designed to keep your operation working in one of the toughest heavy equipment applications...the solid waste landfill.*



### **Radiator and Cooling System.**

The radiator and cooling system are designed specifically for the 816F2 landfill compactor operating at 100 percent engine load. At these conditions, the ambient capability is above the benchmark of 43° C (119° F), demonstrating the machine's purpose-built cooling system.

**Scoop Hood.** Angled and protected to prevent trash from collecting.

**Hinged Door.** Easy access for cleaning and service.

**High Radiator Air Inlet.** Helps prevent trash from entering the radiator area and maintaining proper airflow.

### **Roof-Mounted Air Conditioner.**

Makes the cooling package easier to clean because the A/C core is not located at the rear of the machine with other cores. Also reduces the frequency of condenser core cleaning, providing better cooling to the cab for longer periods of time.

### **Radiator Precleaner Screen.**

Prevents trash from entering radiator compartment, reducing clean-out time.

### **Next Generation Modular Radiator (NGMR).**

With parallel flow and six cores standard improves cooling capabilities. The tubes, header plate, tank and side sheets are brass and copper brazed for high joint integrity. The NGMR also features 6FPI trash resistant cores that prevent debris from building up and plugging the radiator.



### **Swing-Out Hydraulic Oil Core.**

Allows easy cleaning and inspection without tools.

**Suction Fan.** Allows ambient air to cool, providing better cooling capacity. It also pressurizes the engine compartment, preventing trash build up.



### **Hydraulic Tank and Steering Cylinders.**

The cylinders are guarded to resist damage, and the tank is armored for protection.



**Striker Bars.** Located in front of and behind the rear wheels and behind the front wheels provide substantial protection from trash that can be thrown or carried by the wheels.



**Standard Axle Guards.** Prevent trash build-up on the axles, protect the axle seal guards and help prevent duo-cone seal failure.



**Hinged Engine and Power Train Guards.** Help prevent trash build-up and shield components from demolition debris, trash, wire, rebar and harmful chemicals while allowing easy cleaning.

**Integral Rear Bumper.** Protects the radiator, fan, batteries and engine but allows for easy accessibility.



**Fuel Tank.** Is easy to reach and is positioned away from debris for protection and maximum capacity.



**Left Side Platform.** Rear cab access is easier with the left side platform.



**Optional Front Window Guard.** Prevents debris from damaging the lower portion of the front window with protection that goes across the bottom of the front cab glass.



**Optional Wheel and Tip Cleaner Fingers.** Welded onto the standard striker bars, these adjustable fingers keep the wheels from plugging when working in cohesive materials such as clay or mud.

## Tips and Wheels

*Caterpillar offers a choice of tips and blades welded on our own steel wheels that will fit your needs. No matter what your choice may be, it is part of the total system our compactors offer: maximum production, performance and compaction.*

**Standard Equipment.** The standard machine offering is the long-life Plus Tip that provides excellent traction and side-hill stability with a self-cleaning layout that resists plugging. The self-cleaning chopper blades for shredding material are optional. All choices are specifically designed for our Cat steel wheels.



**Plus Tips.** Plus Tips with Abrasion Resistant Material (ARM) have a plus-shaped design for superior compaction and sidehill stability on sloped material. A widely spaced 20 tip pattern requires fewer tips than other manufacturers and results in less plugging, lower replacement costs and maximum compaction. Plus Tips are guaranteed for 10,000 hours or four years of wear life. They offer the lowest cost per hour of any compactor tips in the industry.



**Self Cleaning Chopper Wheels.** The self cleaning chopper wheels are designed to deliver maximum compaction and traction. Aggressive chopping action is provided by 20 blades per wheel. Heat-treated DH-2™, ARM steel blades provide longer wear.

The staggered, chevron blade arrangement evenly distributes chopping coverage. Blade center gussets help assure maximum refuse demolition. Blades are mounted differently on the front and rear wheels to maximize chopping and compaction in both forward and reverse.

**Smooth Wheel Option.** If our tip selection does not meet your needs, consider Cat smooth steel wheels. This option ensures that no matter what landfill tip you prefer, you get Cat wheels built to our stringent specifications.

Our manufacturing and research engineers work together to design, build and test a complete power train system. The wheels, a critical component to the total system, are manufactured in the same facility as our landfill compactors. This ensures the entire system is complemented by each component.

Altering critical components can compromise our power train system that is designed for peak performance. If an off-the-shelf manufacturer's wheels are installed that do not meet our design specifications and do not balance the load over our final drives, bearing life could be reduced substantially and cause premature wear out of other components, resulting in unnecessary downtime. This situation runs contrary to the Caterpillar goal to keep our customers operating with maximum productivity, performance and compaction.

This wheel option also allows our standard axle guard system to work with the components for which it was designed.

## Landfill Blades

*Several blade options are available to match your spreading and dozing requirements.*



**Straight Blade.** The straight blade is a standard attachment and an ideal blade for most waste management applications.

- Built to withstand the rigors of heavy duty dozing
- Versatile blade for most applications
- Trash rack design provides excellent visibility
- Design incorporates Cat cutting edges

**U-Blade.** The U-blade dozes refuse while helping to retain load.

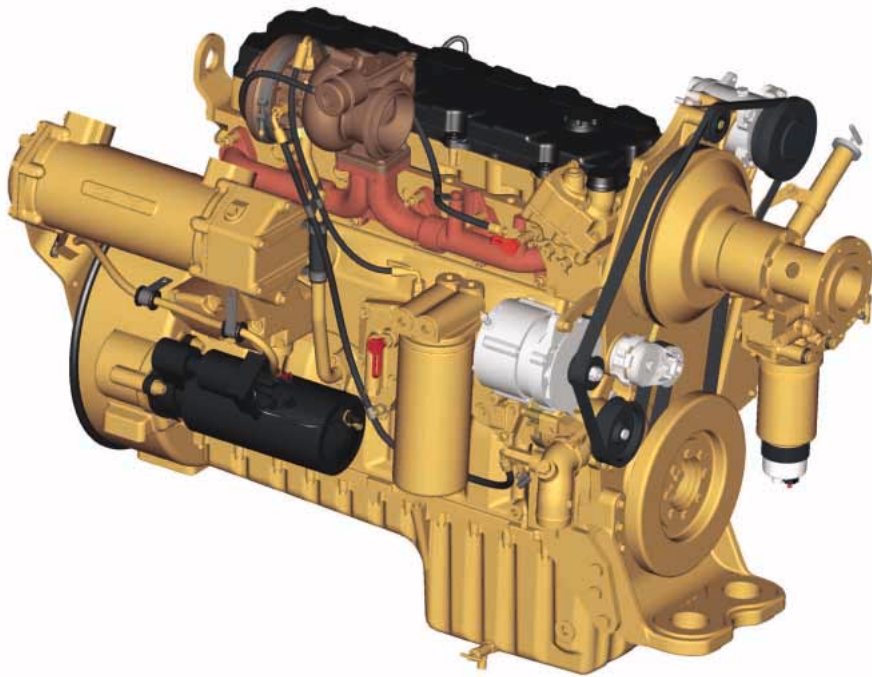
- Capacities and widths are set to achieve increased productivity
- Special design can spread cover material as well as doze refuse
- Wing angles up to 25 degrees help retain the load while dozing
- Top rack is designed to allow excellent operator visibility
- Cat cutting edges and ground engaging tools (G.E.T.) are standard

**Semi-U-Blade.** The Semi-U blade offers the spreading benefits of the straight blade but with the ends slightly angled in for U-blade benefits such as added control and carrying capabilities.

Contact Cat Work Tools and Services for more information on U-blades and Semi-U blades.

## Power Train

*The Cat power train makes dependable performance a standard feature.*



**Cat® C9 ACERT Engine.** The C9 engine with ACERT™ Technology delivers, at a rated speed of 2,100 rpm, net power of 173 kW (232 hp) and meets the U.S. Environmental Protection Agency Tier 3 emissions regulations and Stage IIIA EU Emissions Directive 97/68/EC. With high horsepower and low displacement, this innovative engine provides excellent fuel economy and durability which can significantly reduce operating costs.

**Torque Rise.** The electronically controlled, computer-actuated unit injection fuel system provides high injection pressure and more precisely controlled fuel delivery as the engine lugs back from rated speed, resulting in increased torque above the rated power during heavy loads on machine.

**ADEM™ IV Fuel System.** A Cat electronic control module provides improved engine response, performance, fuel efficiency, troubleshooting diagnostics and reduced emissions. It allows integration with the electronic transmission control for maximum power train efficiency.

**Turbocharger.** The turbocharger packs more dense air into the cylinders for more complete combustion and lower emissions, improving performance and engine efficiency. These benefits are especially useful at high altitudes.

**Air-to-Air Aftercooler.** Emissions are reduced by providing cooler inlet air for more efficient combustion. This also extends the life of the piston rings and bore.

**Dual Cooling Jets.** Located in the block, dual cooling jets spray oil on the piston skirt and cylinder bores to keep ring temperatures low for long ring and liner life with excellent oil control.

**Pistons.** Two-piece, articulated pistons with forged steel crowns offer excellent strength and aluminum skirts for reduced weight. The pistons are oil cooled for increased heat dissipation and longer life.

**Valves.** Four valves per cylinder allow for good air flow, enhancing fuel efficiency and heat rejection. The valves and unit injection system are camshaft-actuated for precise timing.

**Crankshaft.** Steel-forged, carburized and induction-hardened, the crankshaft offers long-term durability and is dynamically balanced for smooth operation. The crankshaft is also completely regrindable, and the connecting rods can be removed through the tops of the cylinders for easy servicing.

**Cat Engine Oil.** Recommended for use in Cat diesel engines, Cat Engine Oil is formulated to optimize engine life and performance. The engine oil change interval is 500 hours.

**Cat Remanufactured Parts.** A large choice of factory remanufactured parts and dealer proposed repair options increase machine availability and reduce total repair costs.



### Heavy-Duty Axles and Brakes.

The axles and brakes are designed to last in all kinds of operating conditions. Two front axle disc brakes provide improved braking capability and better heat dissipation. Planetary final drives use free-floating, bronze sleeve bearings in the planet gears.

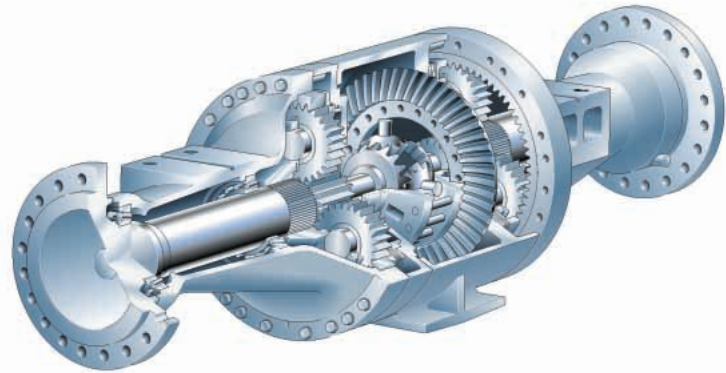
- Oil-disc brakes are adjustment-free and fully enclosed to lock out contaminants

**Front Axle.** The front axle is rigidly mounted to the frame to support the weight of the compactor, internal torque loads and external loads applied during compacting operation.

**Rear Axle.** A trunnion, two trunnion supports and associated bearings make up the rear axle which oscillates plus or minus eight degrees, ensuring four wheel ground contact for traction and stability.

**Four-Piece Axle.** The four-piece axle contains two axle shaft housings – the center housing and the intermediate housing. Features and benefits of the four-piece axle design include:

- Inboard brakes on the front axle only are positioned immediately adjacent to the differential and operate on the low torque side of the final drive, requiring less braking force to stop the machine



**No-SPIN Differentials.** Optional No-SPIN differentials are available for improving traction in poor underfoot conditions.

- Front No-SPIN differentials for corner loading, uneven floor applications where weight transfer occurs within the front axle.
- Rear No-SPIN differentials for uphill load operations or any other application where increased weight is transferred to the rear axle.

Both front and rear No-SPIN differentials are needed only for extreme poor underfoot conditions or for straight ahead heavy dozing applications.

(NOTE: Both front and rear No-SPIN differentials installed, may reduce steering performance and maneuverability in tight turning radius applications as well as increase operating costs.)

### Electronic Power Shift Transmission.

Designed, developed and built by Caterpillar, the transmission allows full power speed and directional changes. Fully modulated gear shifts significantly contribute to operator comfort and increase machine productivity as well as component life.

### Electronic Clutch Pressure Control (ECPC)/Controlled Throttle Shifting (CTS).

ECPC and CTS sense input from both the transmission and the operator controls in the cab to modulate each individual clutch through a proportional electro-hydraulic valve. This results in smoother shifts in both speed and direction. Energy is modulated into the clutches, resulting in longer clutch life.

## Operator's Station

*Comfort and control – a top quality operator's station helps maximize productivity.*



### **1 Exceptional All-Around Viewing Area.**

The large viewing area reduces strain and fatigue, making operators more productive. With the rear vision camera attachment, the operator can more easily see what is behind the machine by way of an in-cab monitor.

### **2 Caterpillar® Monitoring System.**

With electronic analog gauges, the Caterpillar Monitoring System is a highly effective and reliable warning and diagnostic system.

As a warning system, it constantly checks machine functions and tells the operator when there is a problem. Easy-to-read gauges display fuel level, temperatures for engine coolant, transmission and hydraulic oil, engine rpm and gear range. Hour meter, odometer and analog tachometer readings are also displayed.

As a diagnostic system, it identifies conditions, shows current readings and plays back maximum or highest readings registered during recent operations.

The right side panel contains a three-level warning system, providing full time monitoring of key functions. The system alerts the operator of immediate or impending problems with air inlet temperature, brake oil pressure, electrical system, low voltage, engine oil pressure, engine over-speed, fuel filter status, parking brake status, steering oil pressure and transmission filter status.

### **3 Quick Gear Kick Up/Down Button.**

The operator can easily downshift or upshift to a different gear with the kick up/down button. It is a convenient way to shift that saves time and effort.

### **4 Ignition Key Start/Stop Switch.**

The ignition key/switch is positioned for easy machine starting and stopping.

### **5 12-Volt Power Supply and Electronic Technician (Cat ET) Diagnostics.**

The power supply inside the cab can power radios, telephones or a laptop computer. This is particularly useful for powering a laptop running Cat ET to access the enhanced engine and transmission control system diagnostics.

**6 Steering Column.** The steering column adjusts to multiple positions. A leather-like steering wheel and transmission control provide a sure grip and comfortable feel. The horn is conveniently located in the center of the steering wheel.

### **7 Pilot-Operated Blade Controls.**

Conveniently located blade controls allow for precise blade movement.

**8 Operator Seat.** The operator seat is designed for comfort and support. Seat cushions reduce pressure on the lower back and thighs while allowing unrestricted arm and leg movement.

**9 Built-In Storage Space.** Conveniently located storage is designed to hold cups, lunch box, insulated bottle and personal items.

**10 Air Vents.** Vents located throughout the cab keep fresh air flowing while improving the cab's heating, cooling, defrosting and defogging capabilities.

**11 Throttle Lock.** With throttle lock, the operator can set the engine speed and remove his foot from the governor (accelerator) pedal much like cruise control in an automobile. Using this feature increases productivity, fuel efficiency and improves operator comfort.

**12 Decelerator Pedal.** The decelerator pedal on the left acts as both a brake and an engine decelerator to override the engine speed selected by the throttle lock. This enables the operator to slow down when the throttle lock is engaged and to return to throttle lock without pressing a button. This aids in maneuvering around trucks, tractors or any other obstacle.

### **13 Windshield Washers/Wipers.**

Wipers with in-the-blade washer delivery system are standard features on front and rear windows. The front wiper has intermittent speed capability.

### **14 Rear Vision Camera Monitor.**

Connected to a camera mounted on the radiator guard, this monitor allows the operator to see the area behind the machine.

**Radio Ready.** The radio ready cab includes a 12-volt converter (2-amp), speakers, antenna, all wiring and brackets for entertainment or communications radio installation.

## Serviceability

*If maintenance is simple and accessible, it gets done.*



**Engine Access.** An all metal engine enclosure and hinged access doors allow for easy daily maintenance and inspection.

**Engine Shutdown Switch.** The engine shutdown switch is located inside the left engine enclosure panel for easy access and extended switch life.

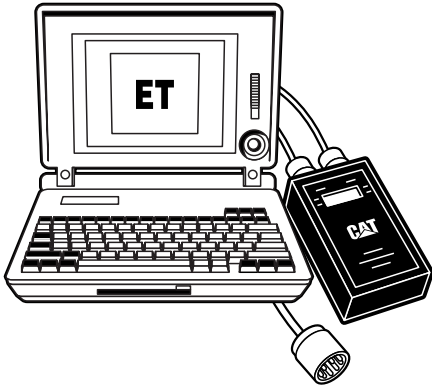
**Left Side Service Access.** The engine oil filter, grease points (lower), air filter (front), power train oil dipstick (top), power train oil fill (below cab), power train oil filter and high speed engine oil fill are easily accessed through the left side service door.

**Right Side Service Access.** The fuel filter, water separator, fuel primer and engine oil dipstick are all within easy reach through the right side service door.

**Hydraulic Oil Cooler.** The hinged hydraulic cooler can be swung open without special tools.



**Roof-Mounted Air Conditioning Condenser.** The hinged air conditioning condenser swings open and coupled with the hydraulic oil cooler, allows the cooling system to be cleaned quickly and easily.



**Cat Electronic Technician (ET).** Cat ET is a software program which allows the service technician to find and identify a problem on a machine and analyze how to fix it quickly. It has the capability to access the Electronic Control Modules from a laptop computer.

Cat ET is also used for:

- Viewing active and non-active diagnostic codes and clearing them after repair
- Displaying the status of all parameters such as engine speed, gear engaged, control levers position, control switch position, etc.
- Performing diagnostic tests and calibrations of electro-hydraulic components
- Viewing current configuration and changing parameter settings
- Flashing new Cat software in the Electronic Control Modules
- Recording all parameters during machine operation

A customer version of Cat ET is also available for your fleet of Cat equipment. Contact your Cat dealer for more information.



**Caterpillar Scheduled Oil Sampling.**

S-O-S<sup>SM</sup> analysis helps ensure better performance, longer life and increased customer satisfaction. It is an extremely thorough and reliable early warning system which detects traces of metals, dirt and other contaminants in your engine, axle, transmission and hydraulic oil. It can predict potential trouble early, thus avoiding costly downtime. Your Cat dealer can give you results and specific recommendations shortly after receiving your sample.

**S-O-S Analysis.** Each test can provide specific types of diagnostic information:

- Oil condition analysis identifies loss of lubricating properties by quantifying combustion products such as soot, sulfur, oxidation and nitrates
- Wear analysis monitors components wear by detecting, identifying and assessing the amount and type of metal wear elements found in the oil
- Chemical and physical tests detect the physical presence of unwanted fluids (water, fuel, antifreeze)

**500 Hour Oil Change Interval.**

Uptime and production increase by doubling the time between oil and filter changes without requiring increased oil sump capacity.

**Operator Station.** The operator station can be removed or replaced in approximately 45 minutes without having to disconnect hydraulic lines. Quick disconnect couplings allow fast disconnect of the air conditioning unit without releasing refrigerant.

**Blade-Style Fuses.** Fuse serviceability and reliability are improved with blade-style fuses located in the cab.

**Battery Box.** The right side bumper holds the battery box for convenient access to the maintenance-free batteries.

**Tool Box.** The left side bumper holds the tool box, giving it additional protection against the harsh landfill environment.

## Complete Customer Support

*When you buy a Cat machine, you also get the Caterpillar total commitment to customer support from the true landfill equipment experts...the Caterpillar dealer network.*



**Machine Selection.** Make detailed comparisons of the machines under consideration before purchase. Cat dealers can estimate component life, preventative maintenance cost and the true cost of lost production.

**Purchase.** Look past initial price. Consider the financing options available as well as day-to-day operating costs. Look at dealer services that can be included in the cost of the machine to yield lower equipment owning and operating costs over the long run.

### **Customer Support Agreements.**

Cat dealers offer a variety of product support agreements and work with customers to develop a plan that best meets specific needs. These plans can cover the entire machine, including work tools, to help protect the customer's investment.

**Product Support.** You will find nearly all parts at our dealer parts counter. Cat dealers use a worldwide computer network to find in-stock parts to minimize downtime.

Save money with genuine Cat Reman parts. You receive the same warranty and reliability as new products at cost savings of 40 to 70 percent.

**Operation.** Improving operating techniques can boost your profits. Your Cat dealer has training video tapes, literature and other ideas to help you increase your productivity, including Certified Operator Training classes to help maximize the return on your machine investment.

**Maintenance Services.** More equipment buyers are planning for effective maintenance before buying equipment. Choose from your dealer's wide range of maintenance services at the time you purchase your machine. Repair option programs guarantee the cost of repairs up front. Diagnostic programs such as S-O-S and Coolant Sampling and Technical Analysis help you avoid unscheduled downtime.

**Replacement.** Repair, rebuild or replace? Your Cat dealer can help you evaluate the cost involved so you can make the right choice.

## Engine

Engine Model	Cat® C9 ACERT™	
Gross Power	189 kW	253 hp
Net Power	173 kW	232 hp
Net Power ISO 3046-2	173 kW	232 hp
Net Power ISO 9249	175 kW	235 hp
SAE J1349	173 kW	232 hp
EEC 80/1269	175 kW	235 hp
Torque Rise	19%	
Bore	112 mm	4.4 in
Stroke	149 mm	5.9 in
Displacement	8.8 L	537 in <sup>3</sup>

- Engine meets U.S. Environmental Protection Agency Tier 3 emissions regulations and Stage IIIA EU Directive/97/68/EC
- Engine power ratings apply at 2,100 rpm when tested under the specific standard conditions for the specified standard
- Power rating conditions based on standard air conditions of 25° C (77° F) and 100 kPa (29.8 Hg) dry barometer, using 25° API gravity fuel having an LHV of 42 780 kJ/kg (18,390 Btu/lb) when used at 29° C (85° F) [reference a fuel density of 828.9 g/L (7.001 lb/gal)]
- Torque rise at 1,200 rpm

## Transmission

Forward 1	5.6 km/h	3.5 mph
Forward 2	9.5 km/h	5.9 mph
Reverse 1	6.3 km/h	4 mph
Reverse 2	10.6 km/h	6.6 mph

## Hydraulic System

Vane Pump Output at 2,015 rpm and 6900 kPa (1,000 psi)	112 L/min	29.6 gal/min
Relief Valve Setting	15 500 kPa	2,248 psi
Lift Cylinder Bore × Stroke	120.65 mm × 913.9 mm	4.75 in × 36 in

## Axles

Front	Fixed
Oscillating Rear	±8°

## Brakes

Standards	Meet OSHA regulations
-----------	-----------------------

## Wheels – Plus Tip Teeth with Abrasion Resistant Material (ARM)

Drum Width	1016 mm	3 ft 4 in
Drum Diameter	1300 mm	4 ft 3 in
Tips per Wheel	20	

## Wheels – Chevron-Pattern, Chopper Blades

Drum Width	1016 mm	3 ft 4 in
Drum Diameter	1300 mm	4 ft 3 in
Blades per Wheel	20	

## Straight Blade

Width Over End Bits	3657 mm	11 ft 11 in
Moldboard Length	3556 mm	11 ft 9 in
Height	1914 mm	6 ft 4 in

## Service Refill Capacities

Fuel Tank	446 L	117.8 gal
Cooling System	55 L	14.5 gal
Crankcase	34 L	9 gal
Transmission	50 L	13.2 gal
Differentials and Final Drives – Front	43 L	11.4 gal
Differentials and Final Drives – Rear	43 L	11.4 gal
Hydraulic System (including Tank)	137 L	36.2 gal
Hydraulic Tank	88 L	23.2 gal

## Weights

Operating Weight	23 748 kg	52,364 lb
------------------	-----------	-----------

- Machine configured with heaviest options, 80 kg (176 lb) operator and full fuel tank

## Cab

ROPS/FOPS	Meet SAE and ISO standards
<ul style="list-style-type: none"><li>• Cat® cab and Rollover Protective Structure/Falling Object Protective Structure (ROPS/FOPS) are standard in North America, Europe and Japan</li><li>• Standard air conditioning system contains R134a refrigerant</li><li>• ROPS meets SAE J394, SAE 1040 APR88 and ISO 3471-1986 standards</li><li>• FOPS meets SAE J231 JAN81 and ISO 3449-194 standards</li></ul>	

## Dimensions

Ground Clearance to Bumper	804 mm	2 ft 8 in
Ground Clearance to Striker Bars	650 mm	2 ft 2 in
Center Line of Rear Axle to Edge of Bumper	1896 mm	6 ft 3 in
Width over Wheels	3338 mm	10 ft 12 in
Width over Endbits (Blade)	3657 mm	11 ft 12 in
Turning Radius – Outside End Bits	6464 mm	21 ft 3 in
Blade Width Straight	3556 mm	11 ft 9 in
Drum Width	1016 mm	3 ft 4 in

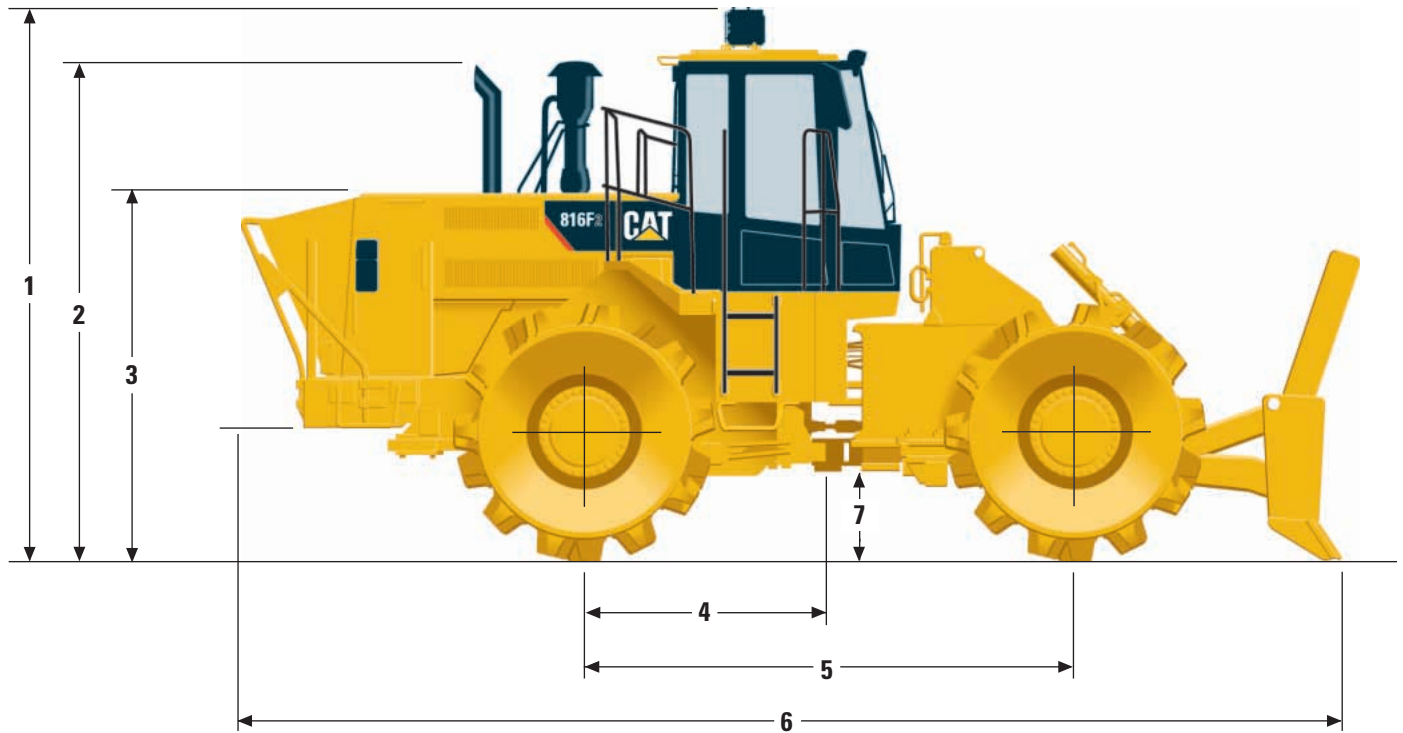
## Sound Performance

Standards	Meet required sound standards
<ul style="list-style-type: none"><li>• The operator exposure Leq (equivalent sound pressure level) measured according to the work cycle procedures specified in ANSI/SAE J1166 OCT98 is 78 dB(A), for the cab offered by Caterpillar, when properly installed, maintained and tested with the doors and windows closed</li><li>• Hearing protection may be needed when operating with an open operator station and cab (when not properly maintained or doors/windows open) for extended periods or in noisy environment</li><li>• The exterior sound pressure level for the standard machine measured at a distance of 15 m (49 ft 2 in) according to the test procedures specified in SAE J88 JUN86 mid-gear-moving operation is 80 dB(A)</li><li>• The sound power level is 111 dB(A) measured according to the dynamic test procedure and conditions specified in ISO 6395:1988/Amd. 1:1996 for a standard machine configuration</li></ul>	



# Dimensions

All dimensions are approximate.



<b>1</b>	Height to Top of Cab with A/C	3801 mm	12 ft 9 in	<b>5</b>	Wheelbase	3350 mm	10 ft 11 in
<b>2</b>	Height to Top of Exhaust Pipe	3462 mm	11 ft 5 in	<b>6</b>	Length with Blade on Ground	7854 mm	25 ft 10 in
<b>3</b>	Height to Top of Hood	2489 mm	8 ft 2 in	<b>7</b>	Ground Clearance	456 mm	1 ft 6 in
<b>4</b>	Center Line of Rear Axle to Hitch	1675 mm	5 ft 6 in				

## Standard Equipment

*Standard equipment may vary. Consult your Caterpillar dealer for details.*

### ELECTRICAL

- Alarm, backup
- Alternator (80 amp)
- Batteries, maintenance-free (2)
- Diagnostic connectors
- Lighting system, halogen (front, rear and cab-mounted)
- Starting and charging system (24-volt)
- Starting receptacle for emergency starts

### GUARDS

- Axle (front and rear)
- Drive shaft
- Hinged crankcase
- Hydraulic tank
- Power train
- Steering cylinder

### OPERATOR ENVIRONMENT

- Air conditioner, roof-mounted
- Blade control system locks
- Cab, pressurized and sound suppressed (ROPS/FOPS)  
includes antenna, speakers and converter (12-volt,  
10-15 amp)
- Coat hook
- Cigar lighter and ashtray
- Caterpillar Monitoring System
  - Instrumentation, Gauges
    - Engine coolant temperature
    - Fuel level
    - Hydraulic oil temperature
    - Speedometer/Tachometer
    - Transmission oil temperature
  - Instrumentation, Warning Indicators
    - Air inlet temperature
    - Brake oil pressure
    - Electrical system, low voltage
    - Engine oil pressure
    - Engine overspeed
    - Fuel filter status
    - Parking brake status
    - Steering oil pressure
    - Transmission filter status

- Dome light (cab)
- Fuses, blade style (in-cab)
- Heater and defroster
- Horn, electric (steering wheel mounted)
- Hydraulic steering
- Lunchbox and beverage holders
- Mirrors, rearview (internally-mounted)
- Seat, KAB mechanical suspension
- Seat belt, retractable, 76 mm (3 in) wide
- Wet-arm wipers/washers (front and rear)
  - Intermittent front wiper

### POWER TRAIN

- Brakes, fully hydraulic, enclosed, wet-disc
  - Service, parking and secondary
- Engine, Cat® C9 ACERT™
  - ATAAC and ADEM A4 controller
- Engine cooling fan (suction)
- Fuel priming pump (electric)
- Muffler
- Radiator, Next Generation Modular (NGMR)
- Starting aid (ether)
- Torque converter
- Transmission, planetary (2 forward/2 reverse speeds)
  - Electronic Clutch Pressure Control

### OTHER STANDARD EQUIPMENT

- Cat O-ring face seals/couplings
- XT™ hoses
- Coolers
  - Engine oil
  - Hydraulic oil
  - Transmission oil
- Hitch, drawbar with pin
- Hood, metallic with lockable service doors
- Hydraulic oil cooler
- Oil sampling valves
- Striker bars (all wheels)
- Vandalism protection caplocks
- Wheels (1016 mm/40 in) with weld-on Plus Tips with  
extended inner rim

### BULLDOZER

- Bulldozer blade, hydraulics and linkage are not included  
in standard equipment

### ANTIFREEZE

- Premixed 50 percent concentration of Extended Life Coolant  
with freeze protection to -34° C (-29° F)

## Optional Equipment (with approximate change in operating weight)

*Optional equipment may vary. Consult your Caterpillar dealer for specifics.*

	kg	lb		kg	lb
<b>ELECTRICAL</b>			<b>STARTING AIDS</b>		
Camera, rear vision	1.8	4	Heater, engine coolant (120 volt)	0.9	2
HID lights	—	—	Heater, engine coolant (240 volt)	0.9	2
Light, rotating beacon	4	9	<b>STRIKER BARS</b>		
<b>PRODUCT LINK COMMUNICATIONS</b>			Striker bars with cleaner fingers	372	820
Product Link, North America	1.8	4	<b>MISCELLANEOUS ATTACHMENTS</b>		
Product Link, International	1.8	4	Fast fuel system (Shaw Aero)	5	11
<b>OPERATOR ENVIRONMENT</b>			Guard, front window	24	53
Seat, comfort, air suspension	32	71	Oil change system, high speed	1.4	3
Mirrors, outside-mounted	28	62	Precleaner, turbine/trash	13	29
Mirror, internal (panoramic)	5	11	Sound suppression, exterior	52	114
Visor, cab	2.2	5	<b>ANTIFREEZE</b>		
Radios	—	—	Extended Life Coolant -50° C (-58° F)	0	0
Radio CD AM/FM	1.8	4	<b>BLADES</b>		
Radio CD AM/FM (SIRIUS Satellite)	0	0	Straight	1957	4315
Radio CD AM/FM (XM Satellite)	0	0	Contact Cat Work Tools and Services for U or Semi-U blades or any additional blade options		
<b>POWER TRAIN</b>			<b>WHEELS</b>		
Differential, No-SPIN, front	1.8	4	Contact your Cat dealer or see price list for all options and weights		
Differential, No-SPIN, rear	1.8	4			
<b>HYDRAULICS</b>					
Hydraulics, 2 valve	0	0			

# 816F Series 2 Landfill Compactor

For more complete information on Cat products, dealer services,  
and industry solutions, visit us on the web at [www.cat.com](http://www.cat.com)

© 2006 Caterpillar  
All Rights Reserved  
Printed in U.S.A.

Materials and specifications are subject to change without notice.  
Featured machines in photos may include additional equipment.  
See your Caterpillar dealer for available options.

AEHQ5728 (10-06)

Replaces AEHQ5487-03

CAT, CATERPILLAR, ACERT, their respective logos, "Caterpillar Yellow," and the  
POWER EDGE™ trade dress, as well as corporate and product identity used herein,  
are trademarks of Caterpillar and may not be used without permission.

**CATERPILLAR**®