



320D, 320D GC, 320D2 & 320D2 GC HYDRAULIC EXCAVATORS PARTS REFERENCE GUIDE

LET'S DO THE WORK.™




PROTECT YOUR INVESTMENT WITH GENUINE CAT® PARTS

Thank you for selecting the Cat® 320D Hydraulic Excavator.

This guide is designed to provide you with a quick reference for the parts and part numbers you need to keep your Cat 320D Hydraulic Excavator running at peak efficiency.



MAINTENANCE

Proactive preventative maintenance extends the life of your machine and protects your investment. Only Caterpillar knows Cat equipment's filtration and lubrication requirements and offers parts kits to match your machine's maintenance cycles.

SCHEDULED MAINTENANCE PARTS	
	GREASES
	PLANNED MAINTENANCE KITS

REPLACEMENT PARTS

Proper maintenance minimizes the need for repair and replacement. In the event that replacement parts are required, the use of genuine Cat parts helps maximize machine performance and maintains high resale value.

WEAR PARTS	
	GROUND ENGAGING TOOLS
	UNDERCARRIAGE
	PINS AND BUSHING
REPAIR PARTS	
	CAB GLASS
	HOODS/DOORS/CAPS
	CAB ACCESSORIES, MIRRORS AND LIGHTS
	BUMPERS AND GUARDS
	ENGINE PARTS
	CYLINDER PARTS
	PUMPS & MOTORS
HYDRAULIC CYLINDERS	

GREASES

	STANDARD MAINTENANCE GREASES		
Previous Cat Product Name	Cat Ultra 5 Moly #1	Cat Ultra 5 Moly #2	Cat Advanced 3 Moly
Current Cat Product Name	Cat Extreme Application Grease 1	Cat Extreme Application Grease 2	Cat Prime Application Grease
Grade (NLGI)	1	2	2
Melting point (deg C)	260	260	260
Ambient Temperature (deg C)	-35 to +40	-30 to +50	-20 to +40
Base Oil Type	Mineral	Mineral	Mineral
Color	Dark Gray	Dark Gray	Dark Gray
Cartridge (390 g / 14 oz)	452-5996	452-6001	452-6006
Plastic Pail (5 kg / 11 lb)	–	–	–
Plastic Pail (16 kg / 35 lb)	452-5999	452-6004	452-6009
Keg (55 kg / 120 lb)	452-5998	452-6003	452-6008
Drum (180 kg / 400 lb)	452-5997	452-6002	452-6007

GREASES FOR UNIQUE APPLICATIONS AND ENVIRONMENTS			
Cat Arctic Platinum	Cat Desert Gold	Cat Multipurpose	Hammer Paste
Cat Extreme Application Grease - Arctic	Cat Extreme Application Grease - Desert	Cat Utility Grease	
0	2	2	2
230	280	260	230
-35 to +40	-30 to +50	-30 to +40	-20 to +1100
Semi-Synthetic	Mineral	Mineral	Mineral
Dark Grey	Dark Grey	Blue	Bronze
508-2184	452-6016	452-6011	130-6951 (standard) 317-8491 (autolube)
–	–	–	133-8807
508-2187	452-6019	452-6014	–
508-2186	452-6018	452-6013	–
508-2185	452-6017	452-6012	–



PLANNED MAINTENANCE KITS

EXCAVATOR		A				
		Engine Oil/Filter Change		Fuel Filter Change	Lubricate Machine	Water Separator
Sales Model	Serial Number	Filter Element	Oil Qty (L) DEO-ULS™	Primary Element	Grease Adv 3Moly	Element
320D	FAL	1R-0739	30 L (8 US Gal)	1R-0751	452-6006	326-1644
	JFZ				5P-0960	
	MZD	1R-1807	22 L (8 US Gal)	364-5287		438-5386
320D GC	PCM	1R-0739	30 L (8 US Gal)	1R-0751	452-6006	326-1644
320D2	GBA	322-3155	18 L (8 US Gal)	1R-1804		438-5386
	ZBD					
320D2 GC	JFM			360-8960		
	ZBH					

EXCAVATOR		B		C			
		Hydraulic Oil Filter (Pilot)	Case Drain Oil Filter	AC Receiver Dryer	Hydraulic Oil/Filter Change		Final Drive Oil Change (Each Side)
Sales Model	Serial Number	Filter AS	Element	Accumulator Group	Filter Element	Oil Qty (L) Gydo Adv 10	Oil Qty (L) GO
320D	FAL	51-8670	093-7521	176-1902	179-9806	138	8
	JFZ						
	MZD						
320D GC	PCM						
320D2	GBA						
	ZBD						
320D2 GC	JFM						
	ZBH						

EXCAVATOR		WHEN REQUIRED				
		Air Filter		Cabin Air		
Sales Model	Serial Number	Primary Element		Secondary Element	Fresh Air Element	Recirculating Element
320D	FAL	131-8822 (w/Dust Valve) 6l-2501 (w/o Dust Valve)		131-8821 (w/Dust Valve) 6l-2502 (w/o Dust Valve)	293-1184	245-7823
	JFZ	131-8822		131-8821		
	MZD	131-8822 (w/Dust Valve) 6l-2501 (w/o Dust Valve)		131-8821 (w/Dust Valve) 6l-2502 (w/o Dust Valve)	293-1183	
320D GC	PCM	131-8822		131-8821	293-1184	
320D2	GBA					
	ZBD	528-7222		447-0761		
320D2 GC	JFM	131-8822		131-8821	546-0006	
	ZBH	528-7222		529-0132		

PARTS MAINTENANCE KITS				
MACHINE HOURS	500	A		
	1000	A	B	
	1500	A		
	2000	A	B	C
	2500	A		
	3000	A	B	
	3500	A		
	4000	A	B	C
	4500	A		
	5000	A	B	
	5500	A		
	6000	A	B	C

UNDERCARRIAGE

Machine Model		Undercarriage						
Sales Model	Serial # Prefix	Rollers	Sprockets	Steel Track Assembly	Steel Track Shoe			
320D	MZD	8E-5600 (Carriage) 423-3580 (Single Flange Type 1) 423-3580 (Single Flange Type 2)	8E-9805	194-1920 600 mm, Triple Grouser Shoe, Grease Lubricated Track	126-5062 (Shoe) 9W-3619 (Bolt) 9W-3361 (Nut) 194-1609 (Link As)			
	JFZ	8E-5600 (Carriage) 163-4143 (Single Flange) (JFZ1-8547) 423-3580 (Single Flange Type 1) (JFZ8548 & up) 423-3580 (Single Flange Type 2) (JFZ8548 & up)						
	FAL	8E-5600 (Carriage) 163-4143 (Single Flange)						
320D GC	PCM	8E-5600 (Carriage) 163-4143 (Single Flange) (PCM1-2453) 423-3580 (Single Flange) (PCM2454-up)						
320D2	GBA	8E-5600 (Carriage) 163-4143 (Single Flange Type 1) 423-3580 (Single Flange Type 2)						
	ZBD	8E-5600 (Carriage) 423-3580 (Single Flange)						
320D2 GC	JFM	8E-5600 (Carriage) 423-3580 (Single Flange) 423-3580 (Single Flange)						
	ZBH	8E-5600 (Carriage) 423-3580 (Single Flange)						
							419-0977 600 mm, Triple Grouser, Grease Lubricated Track	61-9453 (Shoe) 9W-3619 (Bolt) 9W-3361 (Nut) 194-1609 (Link As)
							194-1920 600 mm, Triple Grouser, Grease Lubricated Track	126-5062 (Shoe) 9W-3619 (Bolt) 9W-3361 (Nut) 194-1609 (Link As)
				422-6106 600 mm, Triple Grouser, GD, Grease Lubricated Track	422-2391 (Shoe) 425-7758 (Bolt) 9W-3361 (Nut) 422-5505 (Link As)			

CAB GLASS

Machine Model		Cab Glass			
Sales Model	Serial # Prefix	Front Window, Upper	Front Window, Lower	Door Window	Side & Rear Window
320D	FAL	207-0144 171-7503	156-6647 176-1958	151-6792	235-8915 235-8909
	JFZ	207-0144 338-9117 388-9116 171-7503	176-1958 388-9108	384-6533 151-6792	235-8909 388-9107
	MZD				
320D GC	PCM	207-0144 388-9117			
320D2	GBA	207-0144 388-9117 388-9116 171-7503	388-9108		388-9107
	ZBD	388-9117 388-9116 388-9109			
320D2 GC	JFM	207-0144 388-9117 388-9116	176-1958 388-9108		235-8909 388-9107
	ZBH	388-9109	388-9108	384-6533	388-9107

GET BUCKET TEETH

Description	HD J-Series		GD J-Series		CAT® Advansys™	
	J300	J350	J300	J350	Advansys 80	Advansys 90
Penetration Plus	195-9180	168-1359	450-7556	389-5743	505-4083	505-4097
General Duty		1U-3352			505-4086	505-4096
Heavy Duty					505-3982	505-3993
Heavy Duty Long Life (ARM)					505-3983	505-3993
Leveling Edge Conversion (LEC)					505-3985	505-3995
Wide	4t-2215	107-3350			505-4080	505-4096
Penetration	3G-3237	9J-4359			505-4081	505-4091
Penetration Long Life (ARM)		119-9359			505-4082	505-4092
Spike		168-1350			505-4084	505-4098
Double Spike		135-9357				
Abrasion, Heavy Duty	8E-3756					
Long	9J-3167		449-2159	449-2161		
Long, Heavy Duty	8E-3751		449-2160	449-2162		
Short	9J-3175					
Standard			539-5658	539-5659		
Rock Chisel				See Dealer		
Pin	132-4766	114-0358				
Retainer	149-5733	114-0359				
Retention Kit (Incl Pin & Retainer)			539-5736	539-5656		



HOODS/DOORS/CAPS

Machine Model		Hoods/Doors/Caps					
Sales Model	Serial # Prefix	Engine	Air Cleaner, Battery	Radiator Access	Radiator Fill Cap	Hydraulic Tanks	Pump Compartment
320D	FAL	262-2286	236-3746 298-2977	399-2552 289-6910 399-2552 374-4926 421-4416 421-4412 396-9391 430-5639 289-6915	245-9212	330-1426 330-1427 298-2979	289-6913 421-4406 289-6913
	JFZ			289-6910 289-6917 374-4926 289-6915		289-6913 298-2979	289-6913
	MZD	377-6664	298-2977	289-6917	360-9274	298-2979	
320D GC	PCM	262-2286		289-6917 289-6915	171-3369		
320D2	GBA	423-5183	422-5388	438-2507 423-5185		-	425-6092
	ZBD	466-1052		421-4416	416-0965	-	
320D2 GC	JFM			421-4416 423-5185	171-3369	-	
	ZBH	470-3980		421-4416	-		

ACCESSORIES/MIRRORS/LIGHTS

Machine Model		Accessories/Mirrors/Lights				
Sales Model	Serial # Prefix	Window Wiper, Front Upper	Window Wiper, Front Lower	Visors	Mirrors	Lighting
320D	FAL	234-6594	229-9087 229-9086	161-3750 161-3751	489-5117 142-3836 330-1162	366-9343 336-6071 163-6772 259-5048 259-5047 267-7627 259-5043
	JFZ		-		142-3836	163-6772 259-5047 267-7627 259-5043
	MZD	436-1116 234-6594	-	161-3751		163-6772 259-5047 259-5043
320D GC	PCM		-	-		259-5043
320D2	GBA		-	161-3751		366-9343 461-0958 341-5502 259-5043
	ZBD	436-1116	-	-		441-6375 259-5047
320D2 GC	JFM	234-6594 436-1116	229-9086	161-3751	142-3836	441-6375 267-7627 341-5502 259-5043
	ZBH	436-1116	-	-	142-3836	441-6375 259-5047 259-5043

ENGINE PARTS

Machine Model		Engine Parts								
Sales Model	Serial # Prefix	Starter Motor	Battery	Alternator	Water Pump	Fuel Injector Pump	Fuel Priming Pump	Turbocharger	Fuel Injector	Glow Plug
320D	MZD	288-6976 * 20R-3857 354-5671 * 20R-4877 349-9075	263-9574 (Cold Weather)	235-7133	322-9662 485-4894	317-8021 * 10R-7660	183-2823	315-9810	320-0677 * 10R-7671	462-2235
	JFZ		263-9574 (Cold Weather) 3T-5760 (Maintenance Free)	212-8561	296-4655	326-4635 * 10R-7662	137-5541	287-0049	326-4700 * 10R-7675	-
	FAL	294-1857 * 10R-7586							326-4756 * 10R-7951	-
320D GC	PCM		3T-5760 (Maintenance Free)					326-4700 * 10R-7675	-	
320D2	GBA	354-5671 * 20R-4877	263-9574 (Cold Weather) 3T-5760 (Maintenance Free)	344-5081	485-4894	398-1498 * 20R-4819	299-9265	431-4572	454-5091	462-2238
	ZBD					449-3641 * 20R-6821	-		454-5090	
320D2 GC	JFM						398-1498 * 20R-4819	299-9265		
	ZBH	357-5205	3T-5760 (Maintenance Free)	560-6109	355-8710	375-2647 * 20R-4562	390-6840	482-0233	449-3315	462-2235



*is Reman Part
Cat Reman provides same-as-new performance and reliability at a fraction of new costs, while reducing the impact on the environment.

CYLINDER PARTS

Machine Model		Cylinder Parts		
Sales Model	Serial # Prefix	Boom	Stick	Bucket
		Lines Group	Lines Group	Lines Group
320D	MZD	242-6732 (Left Hand) 242-6737 (Right Hand)	242-6735	369-9677
	JFZ			369-9677 548-9601
	FAL			266-8025 369-9677 248-9926 548-9601 589-6085
320D GC	PCM		369-9677	
320D2	GBA		369-9673 242-6735	369-9677 418-9086
	ZBD			369-9677 418-9086 548-9601
320D2 GC	JFM		242-6735	187-5693 369-9677 431-0455
	ZBH			

BUMPERS & GUARDS

Machine Model		Bumpers & Guards				
Sales Model	Serial # Prefix	Bumpers	Vandal Guards	Cab Guarding	Backup Alarm	Rear View Camers
320D	FAL	278-9257 180-7533 180-7529 180-7525 180-7521	207-0176 207-0164 207-0167 207-0170 207-0173	–	213-9100	251-4162
	JFZ	180-7533 180-7529 180-7525 180-7521		–		
320D GC	PCM	528-3290	486-5404	528-3292	–	–



CYLINDER PARTS

Machine Model		Cylinder Parts			
Sales Model	Serial # Prefix	Boom	Stick	Bucket	
		Tube \ Rod \ Seal Kit	Tube \ Rod \ Seal Kit	Tube \ Rod \ Seal Kit	
320D	MZD	510-9213 (tube) 510-9214 (rod) 456-0207 (seal kit)	586-3639 (tube) 495-1188 (rod) 456-0200 (seal kit)	352-1100 (tube) 495-1192 (rod) 456-0207 (seal kit)	
	JFZ		247-8881 (tube) 247-8882 (rod) 456-0200 (seal kit)	516-5843 (tube) 516-5844 (rod) 456-0209 (seal kit)	
	FAL		586-3639 (tube) 495-1188 (rod) 456-0200 (seal kit)	352-1100 (tube) 495-1192 (rod) 456-0207 (seal kit)	
320D GC	PCM		510-9213 (tube) 510-9214 (rod) 456-0207 (seal kit)	586-3639 (tube) 495-1188 (rod) 456-0200 (seal kit)	352-1100 (tube) 495-1192 (rod) 456-0207 (seal kit)
	GBA		516-5835 (tube) 516-5836 (rod) 526-6137 (seal kit)	352-1100 (tube) 495-1192 (rod) 456-0207 (seal kit)	
	ZBD		586-3639 (tube) 495-1188 (rod) 456-0200 (seal kit)	390-4219 (tube) 390-4220 (rod) 390-4227 (seal kit)	
320D2 GC	JFM		510-9213 (tube) 510-9214 (rod) 456-0207 (seal kit) 464-2932 (Arctic seal kit)	516-5835 (tube) 516-5836 (rod) 526-6137 (seal kit)	516-5843 (tube) 516-5844 (rod) 456-0209 (seal kit)
	ZBH		589-6074 (tube) 352-1105 (rod) 456-0200 (seal kit)	352-1100 (tube) 495-1192 (rod) 456-0207 (seal kit)	
			586-3639 (tube) 495-1188 (rod) 456-0200 (seal kit)	390-4219 (tube) 390-4220 (rod) 390-4227 (seal kit)	

PUMPS AND MOTORS

Machine Model		Pumps and Motors			
Sales Model	Serial # Prefix	Head Pump	Aux Pump	Swing Motor	Travel Motor
320D	MZD	256-0093 (Drive)	-	334-9968 * 20R-0075	209-5992 * 10R-2154
		256-0096 (Driven)		334-9976 * 20R-1757	-
	JFZ	256-0093 (Drive)	-	158-8986 (S/N 1-4652)	209-5992 * 10R-2154
		256-0096 (Driven)	-	334-9968 (S/N 4653-Up) * 20R-0075	
				191-5542 (S/N 1-4652)	
	334-9976 (S/N 4653-Up) * 20R-1757				
	FAL	256-0093 (Drive)	191-5537	159-8986 (S/N 1-3041)	209-5992 * 10R-2154
		256-0096 (Driven)	-	334-9968 (S/N 3042-Up) * 20R-0075	
				334-9969 (S/N 1-Up)	
				465-6067 (S/N 1-Up)	
				315-4371 (S/N 1-Up)	
				334-9976 (S/N 3042-Up) * 20R-0075	
				334-9969 (S/N 1-Up)	
				465-6067 (S/N 1-Up)	
				315-4371 (S/N 1-Up)	
				334-9976 (S/N 3042-Up) * 20R-1757	
				465-6070 (S/N 1-Up)	
				334-9977 (S/N 1-Up)	
191-5542 (S/N 1-3041)					
315-4372 (S/N 1-Up)					
320D GC	PCM	256-0093 (Drive)	-	334-9968 (S/N 1-Up) * 20R-0075	209-5992 * 10R-2154
		256-0096 (Driven)	-	334-9976 (S/N 1-Up) * 20R-1757	
320D2	GBA	256-0093 (Drive)	-	334-9968 (S/N 1-Up) * 20R-0075	209-5992 * 10R-2154
		256-0096 (Driven)	-	334-9976 (S/N 1-Up) * 20R-1757	
	ZBD	344-5281 (Drive)	-	334-9968 (S/N 1-Up) * 20R-0075	209-5992 * 10R-2154
		344-5282 (Driven)	-	334-9976 (S/N 1-Up) * 20R-1757	
320D2 GC	JFM	256-0093 (Drive)	191-5537	334-9968 (S/N 1-Up) * 20R-0075	209-5992 * 10R-2154
		256-0096 (Driven)		334-9976 (S/N 1-Up) * 20R-1757	
	ZBH	256-0093 (Drive)	-	334-9968 (S/N 1-Up) * 20R-0075	209-5992 * 10R-2154
		256-0096 (Driven)	-	334-9976 (S/N 1-Up) * 20R-1757	

*Reman Part Number Cat Reman provides same-as-new performance and reliability at a fraction of new costs, while reducing the impact on the environment.

KITS

Kits are not available through parts.cat.com. Please contact your local Cat Dealer.

Machine Model		Kits	
Sales Model	Serial # Prefix	Description	Kit Number
320D	FAL	Ashtray with 90 Degree Opening	178-5530
		Ashtray with Singe Hole	259-7202
		Back Up Alarm	213-9100
		Bumper Kit, Rubber, L Front/R Rear	180-7525
		Bumper, Rubber, R Center/Middle	180-7529
		Bumper, Rubber, R Front	180-7521
		Bumper, Rubber, R Middle	228-5463
		Bumper, Rubber, R Middle	180-7533
		Bumper, Rubber, R Rear	218-5199
		Camera, Rear View, w/ Accs	251-4162
		Engine Repair for 3066/C6.4	482-2083
		Seat, High Back with Head Rest	245-7884
		Seat, High Back, Heat, Headrest	423-6161
		Seat, High Back, no Head Rest	333-4160
		Seat, Low Back, no Head Rest	333-4172
		Seat, Low Back, no Head Rest	245-7882
		Seat, Low Back, no Head Rest	327-6639
		Swivel Guard	471-1985
		Vandal Guard, Bottom Door	207-0173
		Vandal Guard, Bottom Front	207-0167
		Vandal Guard, Middle Front	207-0164
		Vandal Guard, Top Door	207-0170
		Vandal Guard, Top Front	207-0176
		Vandal Guard, Top Front	207-0161
	JFZ	Ashtray with 90 Degree Opening	178-5530
		Ashtray with Singe Hole	259-7202
		Back Up Alarm Kit	213-9100
		Bumper, Rubber, L Front/R Rear	180-7525
		Bumper, Rubber, R Center/Middle	180-7529
		Bumper, Rubber, R Front	180-7521
		Bumper, Rubber, R Middle	228-5463
		Bumper, Rubber, R Middle	180-7533
		Bumper, Rubber, R Rear	218-5199
		Camera, Rear View, w/ Accs	251-4162
		Engine Repair for 3066/C6.4	482-2083
		Seat, High Back with Head Rest	245-7884
Seat, High Back, Heat, Headrest	423-6161		
Seat, High Back, no Head Rest	333-4160		
Seat, Low Back, no Head Rest	333-4172		
Seat, Low Back, no Head Rest	245-7882		
Seat, Low Back, no Head Rest	327-6639		
Swivel Guard	471-1985		

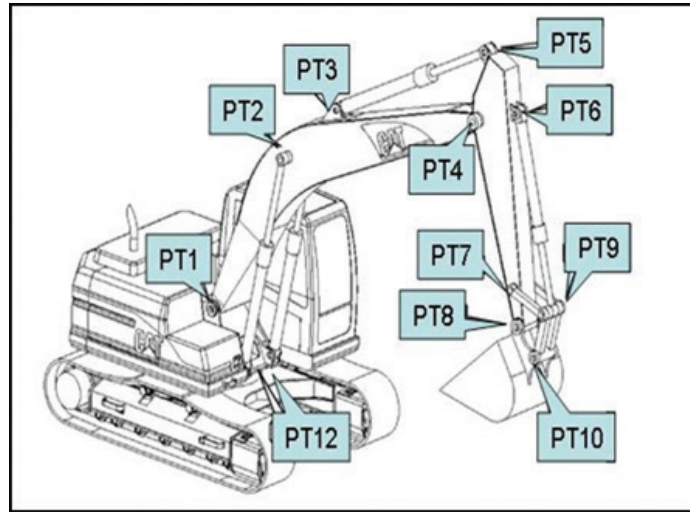
KITS

Kits are not available through parts.cat.com. Please contact your local Cat Dealer.

Machine Model		Kits	
Sales Model	Serial # Prefix	Description	Kit Number
	JFZ (cont'd)	Vandal Guard, Bottom Door	207-0173
		Vandal Guard, Bottom Front	207-0167
		Vandal Guard, Middle Front	207-0164
		Vandal Guard, Top Door	207-0170
		Vandal Guard, Top Front	207-0176
		Vandal Guard, Top Front	207-0161
	MZD	Ashtray with 90 Degree Opening	178-5530
		Ashtray with Singe Hole	259-7202
		Back Up Alarm	213-9100
		Seat, High Back, no Head Rest	333-4160
		Swivel Guard	471-1985
320D GC	PCM	Ashtray with 90 Degree Opening	178-5530
		Ashtray with Singe Hole	259-7202
		Back Up Alarm	213-9100
		Seat, High Back, no Head Rest	333-4160
		Swivel Guard	471-1985
320D2	GBA	Ashtray with 90 Degree Opening	178-5530
		Ashtray with Singe Hole	259-7202
		Back Up Alarm	213-9100
		Seat, High Back, no Head Rest	333-4160
		Swivel Guard	471-1985
	ZBD	Ashtray with Singe Hole	259-7202
		Back Up Alarm	213-9100
		Camera, Rear View, w/ Accs	251-4162
		Falling Objects Guard, 1 pc.	489-6300
		Seat Belt, 2 in (50.8 mm) Wide	490-5979
		Seat Belt, 2 in (50.8 mm) Wide	488-6524
		Seat Belt, 3 in (76.2 mm) Wide	488-6525
		Seat, High Back, no Head Rest	333-4160
		Swivel Guard	471-1985
320D2 GC	JFM	Ashtray with 90 Degree Opening	178-5530
		Ashtray with Singe Hole	259-7202
		Back Up Alarmt	213-9100
		Camera, Rear View, w/ Accs	251-4162
		Seat, High Back with Head Rest	245-7884
		Seat, High Back, Heat, Headrest	423-6161
		Seat, High Back, no Head Rest	333-4160
		Swivel Guard	471-1985
	ZBH	Ashtray with Singe Hole	259-7202
		Back Up Alarm	213-9100
		Seat Belt , 2 in (50.8 mm) Wide	490-5979



EXCAVATOR LINKAGE CONFIGURATION



Name	Location
PT1	Boom foot
PT2	Boom cylinder
PT3	Stick cylinder
PT4	Boom nose or Stick pivot
PT5	Stick cylinder
PT6	Bucket cylinder
PT7	Idler link stick end
PT8	Stick nose
PT9	Bucket cylinder
PT10	Power link bucket end
PT12	Boom cylinder



LINKAGE PIN PART NUMBERS

Sales Model	Prefix	PT1	PT2	PT3	PT4	PT5	PT6	PT7	PT8	PT9	PT10	PT12
		Boom Foot	Boom Cylinder Rod End	Stick Cylinder Head End	Boom Nose or Stick Pivot	Stick Cylinder Rod End	Bucket Cylinder Head End	Idler Link Stick End	Stick Nose	Bucket Cylinder Rod End	Bucket Cylinder Rod End	Boom Cylinder Head End
320D	FAL	315-0800 Pin	176-2278 Pin	41-4809 Pin Assembly	264-1702 Pin Assembly	41-4809 Pin Assembly	41-4811 Pin Assembly	254-3052_Pin(B Linkage) 186-5662_Pin (CB Linkage)	087-5805_Pin (B Linkage) 234-3931_Pin (CB Linkage)	254-3053_Pin (B Linkage) 234-3930_Pin (CB Linkage)	087-5805_Pin (B Linkage) 234-3931_Pin (CB Linkage)	(2) 154-080 Pin
320D	JFZ							254-3052_Pin (B Linkage) 186-5662_Pin CB Linkage)	087-5805_Pin (B Linkage) 234-3931_Pin (CB Linkage)	254-3053_Pin (B Linkage) 234-3930_Pin (CB Linkage)	087-5805_Pin (B Linkage) 234-3931_Pin (CB Linkage)	
320D	MZD	254-3052 Pin						087-5805 Pin	254-3053 Pin	087-5805 Pin		
320D GC	PCM	254-3052 Pin						087-5805 Pin	254-3053 Pin	087-5805 Pin		
320D2	GBA	41-4809_Pin AS (Reach) 41-4618_Pin AS (Long Reach)		264-1702_Pin AS (Reach) 250-2402_Pin AS (Long Reach)	41-4809_Pin AS (Reach) 41-4618_Pin AS (Long Reach)	41-4811_Pin AS (Reach) 127-3913_Pin AS (Long Reach)	254-3052_Pin (Reach) 71-6843_Pin (Long Reach)	087-5805_Pin (Reach) 86-0523_Pin (Long Reach)	254-3053_Pin (Reach) 248-7820_Pin (Long Reach)	087-5805_Pin (Reach) 86-0523_Pin (Long Reach)		
320D2	ZBD	41-4809_Pin AS (CB Linkage, Reach) 41-4618_Pin AS (B Linkage, Long Reach)		264-1702_Pin AS (CB Linkage, Reach) 250-2402_Pin AS (B Linkage, Reach, Heavy Duty) 346-7276_Pin AS (B Linkage, Long Reach)	41-4809_Pin AS (CB Linkage, Reach) 41-4618_Pin AS (B Linkage, Long Reach)	41-4811_Pin AS (CB Linkage, Reach) 127-3913_Pin AS (B Linkage, Long Reach)	254-3052_Pin (B Linkage, Reach) 71-6843_Pin (B Linkage, Long Reach) 186-5662_Pin (CB Linkage, Reach)	087-5805_Pin (B Linkage, Reach) 86-0523_Pin (B Linkage, Long Reach) 234-3931_Pin AS (CB Linkage, Reach)	254-3053_Pin (B Linkage, Reach) 248-7820_Pin (B Linkage, Long Reach) 234-3930_Pin (CB Linkage, Reach)	087-5805_Pin (B Linkage, Reach) 86-0523_Pin(B Linkage, Long Reach) 234-3931_Pin AS (CB Linkage, Reach)		
320D2 GC	JFM	41-4809 Pin Assembly		264-1702 Pin Assembly	41-4809 Pin Assembly	41-4811 Pin Assembly	254-3052 Pin	87-5805 Pin	254-3053 Pin	87-5805 Pin		
320D2 GC	ZBH											

Separate Configurations - B Linkage, CB Linkage
Separate Configurations - Reach, Long Reach

BUSHING & BEARING PART NUMBERS

BUSHING & BEARING PART NUMBERS													
Sales Model	Prefix	PT1	PT2	PT3	PT4	PT5	PT6	PT7	PT8	PT9	PT10	PT12	
		Boom Foot	Boom Cylinder Rod End	Stick Cylinder Head End	Boom Nose or Stick Pivot	Stick Cylinder Rod End	Bucket Cylinder Head End	Idler Link Stick End	Stick Nose	Bucket Cylinder Rod End	Power Link Bucket End	Boom Cylinder Head End	
320D	FAL	(2) 244-4277 Bushing	2x 241-7380_Bearing (B Linkage)	241-7381 Bushing	(2) 244-4277 Bushing	241-7381 Bushing	235-7769 Bushing	(2) 229-1096 Bushing	(2) 240-2913 Bushing	2x 244-4360_Bushing (B Linkage) 228-5615_Bushing (B Linkage)	2x 240-2912_Bushing (B Linkage)	2x 241-7379_Bearing (B Linkage)	
			2x 240-2913_Bushing (CB Linkage)							2x 228-5615_Bushing (CB Linkage)	2x 228-5615_Bushing (CB Linkage)	2x 357-5717_Bushing (CB Linkage)	
320D	JFZ		(2) 241-7380 Bushing	241-7381_Bushing (B Linkage)	2x 357-5711_Bushing (CB Linkage)	(2) 228-5615 Bushing	2x 240-2914_Bushing (CB Linkage)	357-5712 Bushing	2x 228-5614_Bushing (CB Linkage)	2x 228-5615_Bushing (CB Linkage)	241-7382 Bushing (2) 244-4360 Bushing	2x 240-2912_Bushing (B Linkage)	2x 241-7379_Bushing
				(2) 357-5709 Bushing							284-7313 Bushing		
			(2) 240-2913 Bushing	(2) 357-5711 Bushing	(2) 244-4277 Bushing	241-7381 Bushing	235-7769 Bushing	357-5712 Bushing	2x 229-1096_Bushing (B Linkage)	2x 240-2913_Bushing (B Linkage)	241-7382 Bushing (2) 244-4360 Bushing	2x 240-2912_Bushing (B Linkage)	
(2) 241-7380 Bushing	(2) 240-2914 Bushing		(2) 240-2914 Bushing	241-7381 Bushing									357-5712 Bushing
320D	MZD		(2) 241-7380 Bushing	241-7381 Bushing	(2) 244-4277 Bushing	241-7381 Bushing	235-7769 Bushing	357-5712 Bushing	(2) 229-1096 Bushing	(2) 240-2913 Bushing	241-7382 Bushing (2) 244-4360 Bushing	(2) 240-2912 Bushing	(2) 241-7379 Bushing
				(2) 357-5711 Bushing							(2) 240-2914 Bushing		
320D GC	PCM		(2) 241-7380 Bushing	241-7381 Bushing	(2) 240-2914 Bushing	357-5712 Bushing	(2) 229-1096 Bushing	(2) 240-2913 Bushing	241-7382 Bushing (2) 244-4360 Bushing	241-7382 Bushing	(2) 240-2912 Bushing	(2) 241-7379 Bushing	
320D2	GBA		(2) 244-4277 Bushing	(2) 241-7380 Bushing	(2) 357-5711 Bushing	(2) 244-4277 Bushing	(2) 240-2914 Bushing	357-5712 Bushing	(2) 229-1096 Bushing	(2) 240-2913 Bushing	241-7382 Bushing (2) 244-4360 Bushing	(2) 240-2912 Bushing	(2) 241-7379 Bushing
			(2) 357-5709 Bushing	(2) 240-2913 Bushing	241-7381 Bushing	(2) 228-5615 Bushing	241-7381 Bushing	235-7769 Bushing			241-7382 Bushing		(2) 357-5717 Bushing
			(2) 489-3021 Bushing	(2) 489-3021 Bushing		(2) 357-5709 Bushing							(2) 240-2913 Bushing
320D2	ZBD	2x 244-4277_Bushing (Reach)	2x 240-2913_Bushing (Reach)	2x 357-5711_Bushing (Reach)	(2) 244-4277 Bushing	2x 240-2914_Bushing (Reach)	357-5712_Bushing (Reach)	2x 229-1096_Bushing (Reach)	2x 240-2913_Bushing (Reach)	241-7382_Bushing (Reach) 2x 244-4360_Bushing (Reach)	2x 240-2912_Bushing (Reach)	2x 357-5717_Bushing (Reach)	
		2x 228-5615_Bushing (Long Reach)	2x 489-3021_Bushing (Long Reach)	290-9180_Bushing (Long Reach)		290-9180_Bushing (Long Reach)	229-1095_Bushing (Long Reach)	2x 229-1095_Bushing (Long Reach)	2x 229-1091_Bushing (Long Reach)	248-7857_Bushing (Long Reach) 2x 248-7835_Bushing (Long Reach)	2x 229-1092_Bushing (Long Reach)	2x 240-2913_Bushing (Long Reach)	
320D2 GC	JFM	2x 244-4277_Bushing (CB Linakge , Reach)	2x 241-7380_Bushing (CB Linakge , Reach)	241-7381_Bushing (CB Linakge , Reach)	(2) 244-4277 Bushing	241-7381_Bushing (CB Linakge , Reach)	284-7313_Bushing (CB Linakge , Reach)	2x 228-5614_Bushing (CB Linakge , Reach)	(2) 228-5615 Bushing	3x 228-5615_Bushing (CB Linakge , Reach)	2x 228-5615_Bushing (CB Linakge , Reach)	2x 241-7379_Bushing (CB Linakge , Reach)	
		2x 357-5709_Bushing (B Linkage, Reach)		2x 357-5711_Bushing (B Linkage, Reach)		2x 240-2914_Bushing (B Linkage, Reach)	235-7769_Bushing (B Linkage, Reach)	2x 229-1096_Bushing (B Linkage, Reach)	(2) 240-2913 Bushing	241-7382_Bushing (B Linkage, Reach) 2x 244-4360_Bushing (B Linkage, Reach)	2x 240-2912_Bushing (B Linkage, Reach)		
		2x 228-5615_Bushing (B Linkage, Long Reach)	2x 240-2913_Bushing (B Linkage, Long Reach)	290-9180_Bushing (B Linkage, Long Reach)	(2) 228-5615 Bushing	290-9180_Bushing (B Linkage, Long Reach)	229-1095_Bushing (B Linkage, Long Reach)	2x 229-1095_Bushing (B Linkage, Long Reach)	(2) 229-1091 Bushing	248-7857_Bushing (B Linkage, Long Reach) 2x 248-7835_Bushing (B Linkage, Long Reach)	2x 229-1092_Bushing (B Linkage, Long Reach)	2x 357-5717_Bushing (B Linkage, Long Reach)	
320D2 GC	ZBH	(2) 244-4277 Bushing	(2) 240-2913 Bushing	(2) 357-5711 Bushing	(2) 244-4277 Bushing	(2) 240-2914 Bushing	357-5712 Bushing	(2) 229-1096 Bushing	(2) 240-2913 Bushing	241-7382 Bushing (2) 244-4360 Bushing	(2) 240-2912 Bushing	(2) 357-5717 Bushing	
			(2) 489-3021 Bushing		(2) 228-5615 Bushing							(2) 240-2913 Bushing	
			(2) 489-3021 Bushing		(2) 357-5709 Bushing							(2) 240-2913 Bushing	



Cat Filters Provide Longer Injector Life

Chances are, you don't skip oil changes or regular maintenance on the family car. So why skip planned maintenance on your Cat equipment? Cat fuel filters outperform the competition, with up to 45% longer injector life and up to 80% decreased cost per hour.*



Productivity & Hydraulics Go Hand In Hand

If your hydraulic system isn't performing at peak efficiency, it's robbing your machine of performance. Efficiency losses usually occur slowly and can reach 20% before you detect a problem — that's one day of lost production every week! These losses can also increase your fuel consumption and operating costs.



Need help?

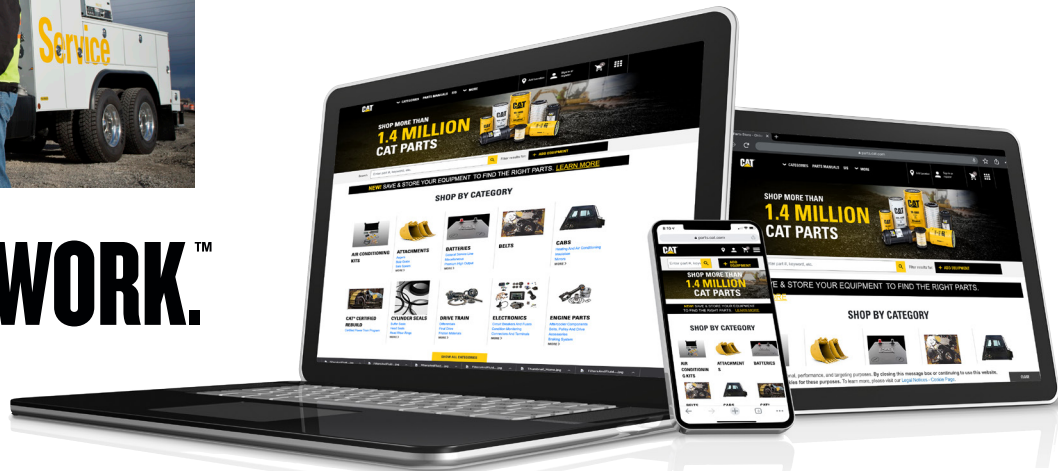
Your local Cat dealer can provide:

- Technical Support
- Customer Value Agreements
- Oil sample analysis
- Parts needed and equipment fit
- Repair financing
- Rental Services

Find your local dealer at www.cat.com today.



LET'S DO THE WORK.™



To buy Cat parts online, visit Parts.cat.com if you have a dealer account or MyParts.cat.com (US only) if you don't yet have an account.

* Visit <https://www.cat.com/filtersandfluids> for more details

